



flexi-work 5 star base chair datasheet

Extent of Range

Flexi-work chairs with cantilever, 4 leg, raised polished base and 5 star base with optional tilt mechanisms.



Delivery

This range is delivered pre-assembled by the Flexiform installation team, wrapped for protection.

Product Warranty

10 years subject to our standard T&C's. See the Flexiform Standard Warranty document for more information.

Features

Type: 5 Star Base

Back: Perforated polypropylene curved back in a range of colours.

Seat: Polypropylene seat and integral arms in a range of colours with 50mm thick foam and upholstered in a wide range of range of fabrics.

Frame: 640mm diameter polished aluminium 5-star base. 50mm non-locking castor and chrome gas lift .

Optional mechanism: 12 degree tilt mechanism with easy-use lever. Tilt mechanism is always white regardless of seat colour.

Product Certification

EN 16139:2013

Product Environmental Certification



Environmental Data

Recycled Content: 24.08%

Recyclable Content: 78.54%

Dimensions

Overall Width: 640mm

Overall Depth: 640mm

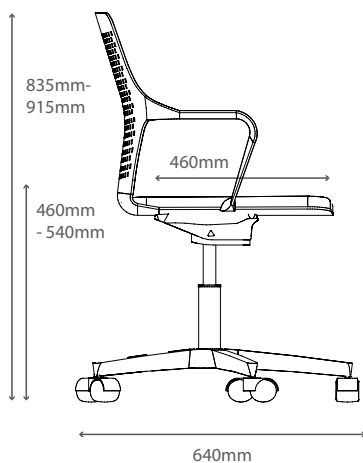
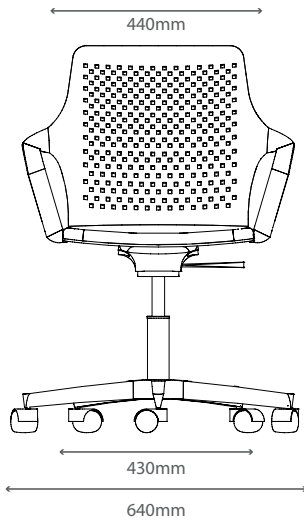
Overall Height: 835mm - 915mm

Seat Height: 460mm - 540mm

Seat Width: 430mm

Seat Depth: 460mm

Back Width: 440mm



Materials

Base Material: PPGF10 - 100% virgin material. 100% recyclability.

Rear Hook for Shell Fixing (<50gr. weight), Underseat, Glide (<50gr. weight): PA - 100% virgin material. 100% recyclability.

Fabric Seat

Available in a range of fabric brands from group 1-5 and leather. Choose from Camira, Gabriel, Inloom & Agua fabrics as standard. More brands available upon request.

Base Finishes

Standard Flexiform finishes.



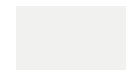
Polished Aluminium Base

Plastic Finishes

Standard Flexiform finishes.



Black Plastic Seat & Back
Code: BK



White Plastic Seat & Back
Code: WH



Light Grey Plastic Seat & Back
Code: GY



Turquoise Plastic Seat & Back
Code: TU