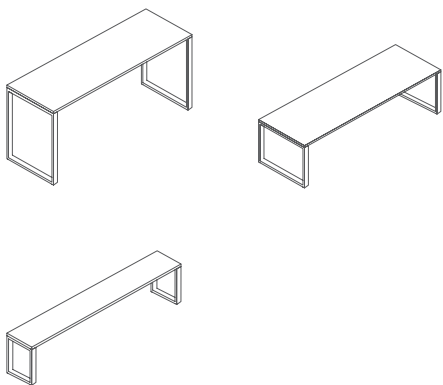




ferro benches & tables datasheet

Extent of Range

Ferro tables and benches are available with 25mm MFC top or 50mm laminate.



Features

Type: Multi-use tables for canteen and meetings.

Legs: 50mm x 50mm square section tube, laser cut for precision. Complete with adjustable feet.

Beams: 2 central beams manufactured from 50mm x 50mm square section tube with concealed fixings.

Tops: 25mm MFC or 50mm Laminate top.

Dimensions

Heights (depending upon top): 735mm/ 760mm or 1050mm/ 1075mm.

Widths: 1200mm, 1400mm, 1600mm, 1800mm, 2000mm, 2200mm or 2400mm.

Depth: 800mm.

Product Certification

BS EN 15372:2016.

Delivery

This range is assembled on site by the Flexiform installation team, wrapped for protection.

Product Warranty

15 years subject to our standard T&C's. See the Flexiform Standard Warranty document for more information.

Materials

MFC Top Panels: 25mm melamine faced chipboard (M.F.C) with 2mm ABS matching edging or contrasting edging. British standard 476 class 1 surface spread of flame. Meets E1 European standards on Formaldehyde emissions.

Laminate: 50mm light weight MDF with high pressure laminate face balancer and 2mm ABS edging.

Steel: Powder coated steel with minimum paint coverage thickness of 35 Microns. Indentation, cross cut+adhesion and bend tested.

MFC Finishes

Standard Flexiform finishes. Additional colour options available (may incur an upcharge).

	White 25mm MFC with matching edge. Code: WHM
	Grey 25mm MFC with matching edge. Code: MOG
	Oak 25mm MFC with matching edge. Code: MOK
	Beech 25mm MFC with matching edge. Code: MOB
	Romano Cherry 25mm MFC with matching edge. Code: RCM
	Maple 25mm MFC with matching edge. Code: MOM
	Walnut 25mm MFC with matching edge. Code: MOW
	White 25mm MFC with contrasting oak edge. Code: WHO
	White 25mm MFC with contrasting multiplex edge. Code: WHX
	White 25mm MFC with contrasting black edge. Code: WHB

High Pressure Laminate Finishes

Standard Flexiform finishes. Additional colour options available (may incur an upcharge).

	Premium White 50mm HPL with matching edge. Code: L02
	Light Grey 50mm HPL with matching edge. Code: L06
	Light Ferrara Oak 50mm HPL with matching edge. Code: L03
	Ellmau Beech 50mm HPL with matching edge. Code: L05
	Romano Cherry 50mm HPL with matching edge. Code: L04
	Maple 50mm HPL with matching edge. Code: L07
	Tobacco Aida Walnut 50mm HPL with matching edge. Code: L01
	Nebraska Oak Code: NEB
	Jackson Pine Code: JAC
	Concrete Light Code: Bepsoke

Product Environmental Certification



Product Recyclable Content
Approximately 85% recyclable.