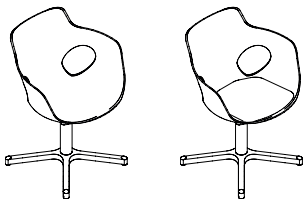




olé wood chair / 4 star base datasheet

Extent of Range

Olé chair with a choice of 5 frame styles;
4 leg, skid base, raised 4 star polished
aluminium base, polished aluminium 4 star
and polished aluminium 5 star with castors.



Delivery

This range is delivered pre-assembled by
Flexiform installation team, wrapped for
protection.

Product Warranty

10 years subject to our standard T&C's.
See the Flexiform Standard Warranty
document for more information.

Features

Type: Mono-shell chair.

Shell: Bonded and moulded wooden shell
sanded to provide a clear smooth finish.

Arms: Integrated lip arms with open section

Base: Polished aluminium 4 star base
with 180 degree swivel mechanism.

Optional Upholstered Seat Pad: 30mm thick
CMHR foam core with fabric upholstery in
various fabrics with Velcro fastening.

Product Certification

BS EN 16139:2013 Test Level 1 & 2.
Strength, durability and safety requirements
for commercial seating.

Manufactured to ISO 9001, ISO 14001 &
ISO 18001

Product Environmental Certification



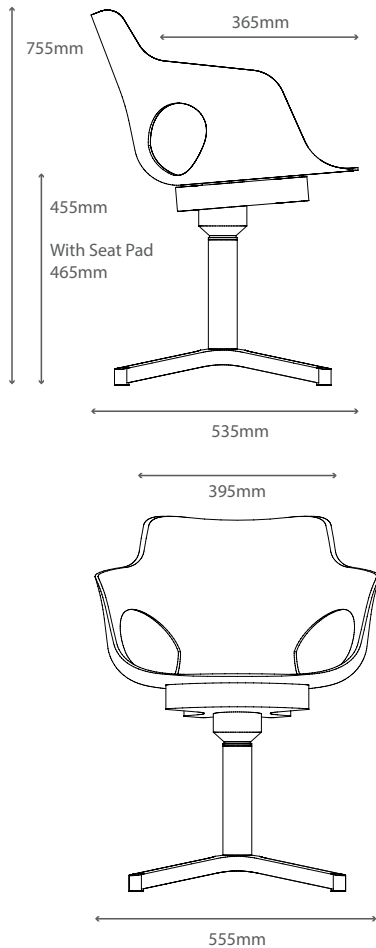
Environmental Manufacturing

Chair components manufactured from a
blend of recycled materials at a minimum
quantity of 30%. Certificate n° 030/2019.

Wooden shell is made from a
combination of recycled and virgin
material. 45% reused.

Dimensions

Overall Width: 555mm
Overall Depth: 535mm
Overall Height: 755mm
Seat Height: 455mm
Seat Height with Seat Pad: 465mm
Seat Width: 395mm
Seat Depth: 365mm
Back Width: 395mm



Materials

Wooden Shell: FSC® approved INT-COC-001272 assessed and certified as meeting the requirement of the Forest Stewardship Council® A.C. Chain of Custody. The board is made from a combination of recycled and virgin material. 45% reused, 55% virgin. The layers are pressed together with water based glue for a number of hours until bonded. The shell is then cut from the bonded piece and sanded to provide a clear, smooth finish.

Aluminium: Strong and lightweight material with the ability to be cast into varying shapes. Aluminium is also a sound absorber and is 100% recyclable.

Optional Fabric Seat Pad

Available in a range of fabric brands from group 1-5 and leather. Choose from Camira, Gabriel, Inloom & Agua fabrics as standard. More brands available upon request.

Base Finishes

Standard Flexiform finishes.



Polished Aluminium

Wooden Shell Finishes

Standard Flexiform finishes.



White Oak Wooden Shell
Code: WO



Natural Wooden Shell
Code: NA



Wenge Wooden Shell
Code: WE