

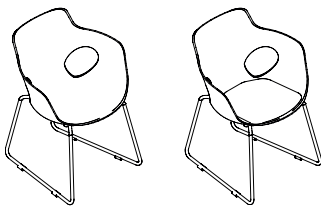


## olé wood chair /skid base datasheet

---

### Extent of Range

Olé chair with a choice of 5 frame styles;  
4 leg, skid base, raised 4 star polished  
aluminium base, polished aluminium 4 star  
and polished aluminium 5 star with castors



---

### Delivery

This range is delivered pre-assembled by  
Flexiform installation team, wrapped for  
protection.

---

### Product Warranty

10 years subject to our standard T&C's.  
See the Flexiform Standard Warranty  
document for more information.

---

### Features

**Type:** Mono-shell chair.

**Shell:** Bonded and moulded wooden shell  
sanded to provide a clear smooth finish.

**Arms:** Integrated lip arms with open  
section.

**Frame:** 12mm steel rod skid base with clear  
glides finished in chrome.

**Optional Upholstered Seat Pad:** 30mm thick  
CMHR foam core with fabric upholstery in  
various fabrics with Velcro fastening.

---

### Product Certification

BS EN 16139:2013 Test Level 1 & 2.  
Strength, durability and safety requirements  
for commercial seating.

Manufactured to ISO 9001, ISO 14001 &  
ISO 18001

---

### Product Environmental Certification



---

### Environmental Manufacturing

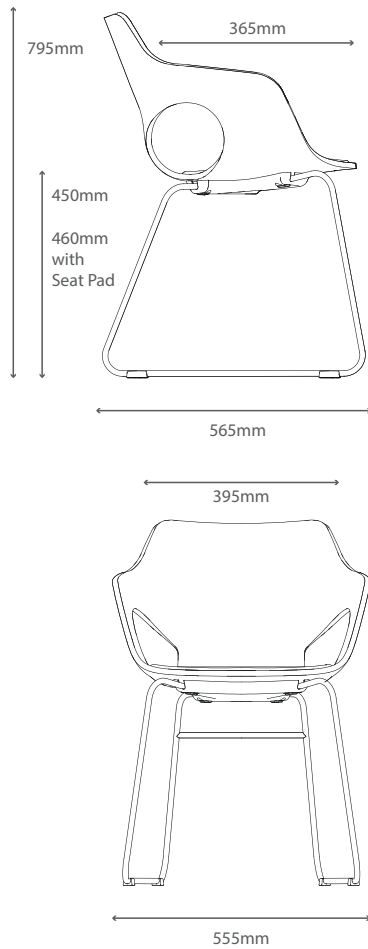
Chair components manufactured from a  
blend of recycled materials at a minimum  
quantity of 30%. Certificate n° 030/2019.

Wooden shell is made from a  
combination of recycled and virgin  
material. 45% reused.

---

## Dimensions

Overall Width: 555mm  
Overall Depth: 565mm  
Overall Height: 795mm  
Seat Height: 450mm  
Seat Height with Seat Pad: 460mm  
Seat Width: 395mm  
Seat Depth: 365mm  
Back Width: 395mm



---

## Materials

**Wooden Shell:** FSC® approved INT-COC-001272 assessed and certified as meeting the requirement of the Forest Stewardship Council® A.C. Chain of Custody. The board is made from a combination of recycled and virgin material. 45% reused, 55% virgin. The layers are pressed together with water based glue for a number of hours until bonded. The shell is then cut from the bonded piece and sanded to provide a clear, smooth finish.

**Steel:** 12mm steel tube finished in chrome. Trivalent chromium (tri-chrome) plating provides added protection extending the product lifecycle.

---

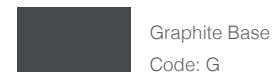
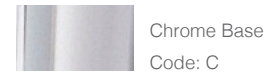
## Optional Fabric Seat Pad

Available in a range of fabric brands from group 1-5 and leather. Choose from Camira, Gabriel, Inloom & Agua fabrics as standard. More brands available upon request.

---

## Base Finishes

Standard Flexiform finishes.



---

## Wooden Shell Finishes

Standard Flexiform finishes.

