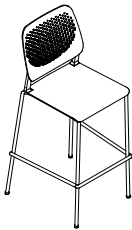


one-shot stool datasheet

Extent of Range

One-Shot stool with integral footrest



Features

Type: Stool

Back: Perforated polypropylene curved back in a range of colours.

Seat: Polypropylene seat in a range of colours or upholstered with 30mm thick foam.

4 Leg Frame: 18mm steel rod skid base with clear glides finished in chrome.
Integral footrest.

Product Environmental Certification



Delivery

This range is delivered pre-assembled by the Flexiform installation team, wrapped for protection.

Environmental Manufacturing

Chair components manufactured from a blend of recycled materials at a minimum quantity of 30%. Certificate n° 030/2019.

Any rejected plastic production waste is 100% recycled.

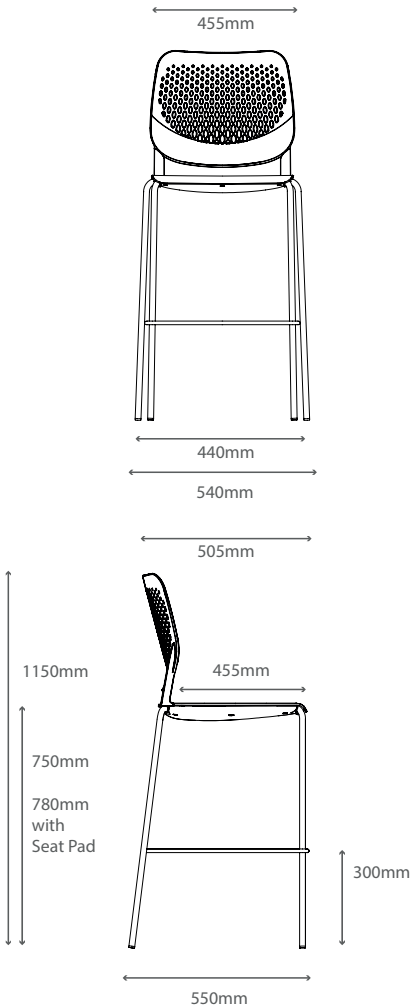
Product Warranty

10 years from installation.

flexiform

Dimensions

Overall Width: 540mm
Overall Depth: 550mm
Overall Height: 1150mm
Seat Height: 750mm/780mm
Seat Width: 440mm
Seat Depth: 455mm
Back Width: 445mm
Footrest from Floor: 300mm



Materials

Polypropylene: Light weight plastic moulded and shaped to give an ergonomic seat. The hardwearing material will withstand everyday use.

Steel: 18mm steel rod on 4 legged frame finished in chrome. Trivalent chromium (tri-chrome) plating provides added protection extending the product lifecycle.

Optional Fabric Seat Pad

Available in a range of fabric brands from group 1-5 and leather. Choose from Camira, Gabriel, Inloom & Agua fabrics as standard. More brands available upon request.

Base Finishes

Standard Flexiform finishes.



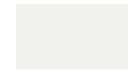
Chrome Leg

Plastic Finishes

Standard Flexiform finishes.



Black Plastic Seat & Back
Code: BK



White Plastic Seat & Back
Code: WH



Cream Plastic Seat & Back
Code: CM



Mustard Plastic Seat & Back
Code: MU



Turquoise Plastic Seat & Back
Code: TU



Dark Red Plastic Seat & Back
Code: DR



Dark Blue Plastic Seat & Back
Code: DB