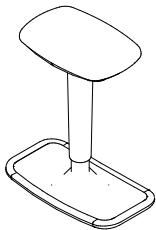




jot-up stool datasheet

Extent of Range

Jot-Up Stool with rocking base and upholstered seat pad.



Features

Type: Height adjustable stool

Seat: Injected polyurethane foam seat pad, fully upholstered in a choice of fabrics. 360 degrees rotation.

Height Adjustability: Intuitive buttons located under seat each side, press together to enable movement. Various colour height adjustable stems.

Base: Non-slip and anti-squeal rubber base for grip with +/- 20 degrees rocking. Black only.

Product Environmental Certification



Environmental Manufacturing

100% Recyclability

Made from 100% Virgin materials

Delivery

This range is delivered complete in a box by the Flexiform installation team, wrapped for protection.

Product Warranty

10 years subject to our standard T&C's. See the Flexiform Standard Warranty document for more information

Dimensions

Width: 435mm

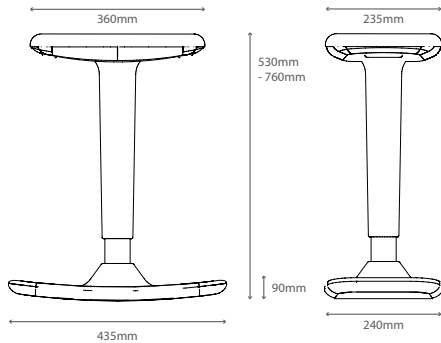
Depth: 240mm

Height range: 530mm - 760mm

Seat Width: 360mm

Seat depth: 235mm

Base height: 90mm



Materials

Non-separable Components

Base Material: PA6/ TPU - 100% virgin material. 100% recyclability.

Separable components (allowing reuse)

Base Cover, Column Cover, Button, Underseat, Seat and Inner Seat Material: PP - 100% virgin material. 100% recyclability.

Fabric Seat

Available in a range of fabric brands from group 1-5 and leather. Choose from Camira, Gabriel, Inloom & Agua fabrics as standard. More brands available upon request.

Base Finishes

Standard Flexiform finishes.



Black base only

Plastic Finishes

Standard Flexiform finishes.



Black Plastic Stem
Code: BK



Red Plastic Stem
Code: RE



White Plastic Stem
Code: WH