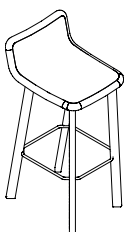




miss stool /4 wood frame datasheet

Extent of Range

Miss stool with wooden frame.



Delivery

This range is delivered pre-assembled by the Flexiform installation team, wrapped for protection.

Product Warranty

10 years subject to our standard T&C's. See the Flexiform Standard Warranty document for more information.

Features

Type: Standalone stool.

Frame: FSC plywood core with 50mm Moulded CMHR foam.

Legs: 4 wooden legs finished in oak, walnut, black or white. Integral steel rod foot rail finished in chrome.

Upholstery: Fully upholstered. Single or two tone upholstery. Two tone option one features fabric 1: back and fabric 2: seat. Two tone option two features fabric 1: inside and fabric 2: outside. Two tone fabric must be of the same price bracket.

Product Certification

BS EN 16139:2013 Test Level 1 & 2. Strength, durability and safety requirements for commercial seating.

Manufactured to ISO 9001, ISO 14001 & ISO 18001.

Product Environmental Certification



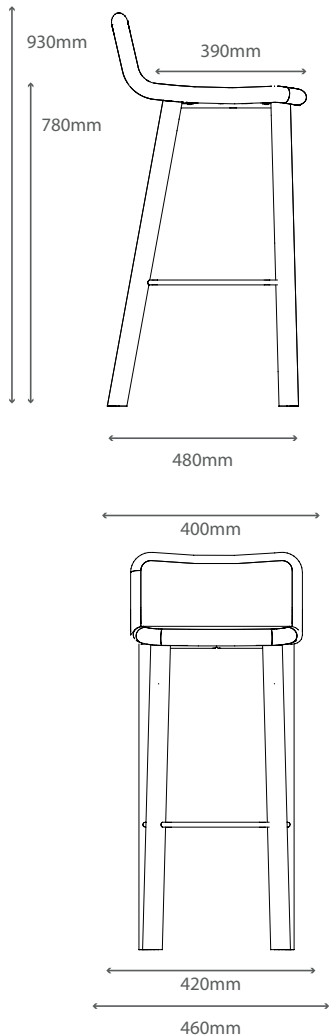
Environmental

Recycled content: 33.62%

Recyclable content: 93.14%

Dimensions

Overall Width: 460mm
Overall Depth: 480mm
Overall Height: 930mm
Seat Height: 780mm
Seat Width: 420mm
Seat Depth: 390mm
Back Width: 370mm



Materials

Steel: 12mm steel tube finished in chrome. Trivalent chromium (tri-chrome) plating provides added protection extending the product lifecycle.

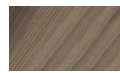
Wooden Base: Ash wood base with oak, walnut, black or white staining. FSC® approved INT-COC-001272 assessed and certified as meeting the requirement of the Forest Stewardship Council® A.C. Chain of Custody.

Base Finishes

Standard Flexiform finishes.



Oak staining. Code: O
Stocked item



Walnut staining. Code: N



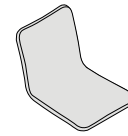
Black staining. Code: B



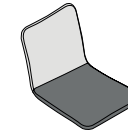
White staining. Code: W

Fabric

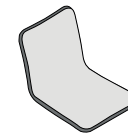
Available in a range of fabric brands from group 1-5 and leather. Choose from Camira, Gabriel, Inloom & Agua fabrics as standard. More brands available upon request.



Single fabric on all sides.



Two tone option one: fabric 1: back and fabric 2: seat. Two tone fabric must be of the same price bracket.



Two tone option two: fabric 1: inside and fabric 2: outside. Two tone fabric must be of the same price bracket.