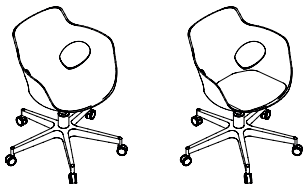




## olé wood chair /5 star base datasheet

### Extent of Range

Olé chair with a choice of 5 frame styles; 4 leg, skid base, raised 4 star polished aluminium base, polished aluminium 4 star and polished aluminium 5 star with castors



### Delivery

This range is delivered pre-assembled by Flexiform installation team, wrapped for protection.

### Product Warranty

10 years subject to our standard T&C's. See the Flexiform Standard Warranty document for more information.

### Features

**Type:** Mono-shell chair.

**Shell:** Bonded and moulded wooden shell sanded to provide a clear smooth finish.

**Arms:** Integrated lip arms with open section

**Base:** Polished aluminium 5 star base with 50mm hard castors. Height adjustable with 80mm of adjustment. 360 degree swivel mechanism.

**Optional Upholstered Seat Pad:** 30mm thick CMHR foam core with fabric upholstery in various fabrics with Velcro fastening.

### Product Certification

BS EN 16139:2013 Test Level 1 & 2. Strength, durability and safety requirements for commercial seating.

Manufactured to ISO 9001, ISO 14001 & ISO 18001

### Product Environmental Certification



### Environmental Manufacturing

Chair components manufactured from a blend of recycled materials at a minimum quantity of 30%. Certificate n° 030/2019.

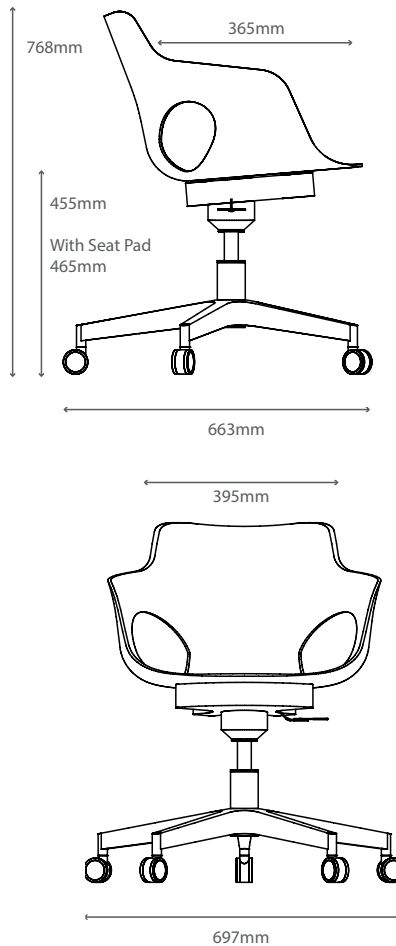
Wooden shell is made from a combination of recycled and virgin material. 45% reused.

# flexiform

---

## Dimensions

Overall Width: 697mm  
Overall Depth: 663mm  
Overall Height: 768mm  
Seat Height: 455mm  
Seat Height with Seat Pad: 465mm  
Seat Width: 395mm  
Seat Depth: 365mm  
Back Width: 395mm



---

## Materials

**Wooden Shell:** FSC® approved INT-COC-001272 assessed and certified as meeting the requirement of the Forest Stewardship Council® A.C. Chain of Custody. The board is made from a combination of recycled and virgin material. 45% reused, 55% virgin. The layers are pressed together with water based glue for a number of hours until bonded. The shell is then cut from the bonded piece and sanded to provide a clear, smooth finish.

**Aluminium:** Strong and lightweight material with the ability to be cast into varying shapes. Aluminium is also a sound absorber and is 100% recyclable.

---

## Optional Fabric Seat Pad

Available in a range of fabric brands from group 1-5 and leather. Choose from Camira, Gabriel, Inloom & Agua fabrics as standard. More brands available upon request.

---

## Base Finishes

Standard Flexiform finishes.



Polished Aluminium

---

## Wooden Shell Finishes

Standard Flexiform finishes.



White Oak Wooden Shell  
Code: WO



Natural Wooden Shell  
Code: NA



Wenge Wooden Shell  
Code: WE