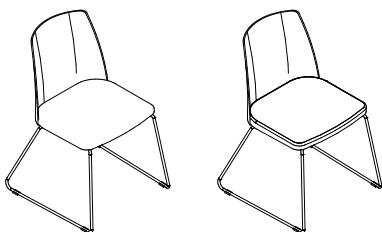




tonez skid base chair datasheet

Extent of Range

Tonez chairs with 4 leg, skid base and 5 star base with optional tilt mechanism.



Delivery

This range is delivered pre-assembled by the Flexiform installation team, wrapped for protection.

Product Warranty

10 years subject to our standard T&C's. See the Flexiform Standard Warranty document for more information.

Features

Type: Skid base

Back: Polypropylene curved back in a range of colours.

Seat: Polypropylene seat in a range of colours with optional 25mm thick foam seat pad upholstered in a wide range of range of fabrics.

Frame: 11mm diameter steel tube skid base finished in RAL epoxy paint. Black glides.

Stacking: Stacks 4 freestanding and 6 on a trolley.

Product Certification

EN 16139: 2013.

Product Environmental Certification



Environmental Manufacturing

100% Recyclability

Mixture or 100% Virgin materials and 100% Recycled materials.

Dimensions

Overall width: 565mm

Back width: 460mm

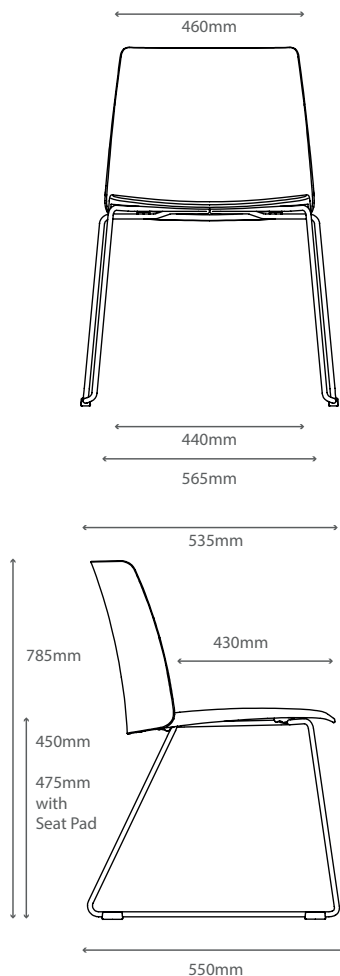
Seat width: 440mm

Height: 785mm

Seat height: 450mm/ 475mm

Depth: 550mm

Seat depth: 430mm



Materials

Base Material: PPGF - 100% virgin material. 100% recyclability.

Shell: PP - 100% virgin material. 100% recyclability.

Seat panel and Cap for Frame: PP - 100% recycled materials. 100% recyclability.

Glide for frame: ABS - 100 Virgin material and 100% recyclability.

Optional Fabric Seat Pad

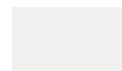
Available in a range of fabric brands from group 1-5 and leather. Choose from Camira, Gabriel, Inloom & Agua fabrics as standard. More brands available upon request.

Base Finishes

Standard Flexiform finishes.



Dark Painted Frame
Code: D



White Painted Frame
Code: W



Peach Pink Painted Frame
Code: E



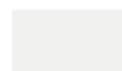
Green Painted Frame
Code: G

Plastic Finishes

Standard Flexiform finishes.



Dark Grey Plastic Seat & Back
Code: DG



White Plastic Seat & Back
Code: WH



Peach Pink Plastic Seat & Back
Code: PP



Green Plastic Seat & Back
Code: GN