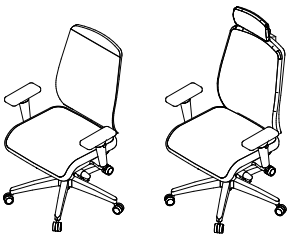




actualize task chair datasheet

Extent of Range

Actualize task chair range with mesh or upholstered back.



Delivery

This range is delivered pre-assembled by the Flexiform installation team, wrapped for protection.

Product Warranty

10 years subject to our standard T&C's. See the Flexiform Standard Warranty document for more information.

Features

Type: Operator/ Task Chair

Frame: Moulded polypropylene frame in black as standard. White frame available with aluminium base as standard.

Fabric: Supportive fabric back and seat. The back and seat can be specified in different colours and materials from the same fabric band group.

Arms: No arms, 2D polypropylene arms with up/down adjustment or 4D arms (up/down adjustment with 180 degrees rotation and arm rests adjust forwards/backwards). Black finish only.

Seat: Waterfall seat design.

Seat Slide: 50mm of adjustment.

Base: 5-star nylon base with 65mm non locking hard castors for carpeted surfaces. Soft castors available on request. Polished aluminium base available.

Mechanisms: Actualize task chair is provided with a synchro-tilt mechanism with tension control and back lock, this allows simple locking and unlocking of the mechanism to allow the user free movement throughout the day.

Optional Headrest: Height adjustable and rotating upholstered headrest. Headrest upholstery matches the back fabric finish as standard.

Weight Limit: 150kg

Certification

Tested to: BSEN 5459-2: 2000 + A2: 2008, Part 2, BS EN ISO 9241, 1999, part 5, workstation layout and postural requirements, and BS EN 1335, 2020, part 1, dimensions.

Product Environmental Certification



Environmental Manufacturing

Recycled content: 34.00%.

Recyclable content: 87.40%

Dimensions

Width: 720mm

Depth: 545mm

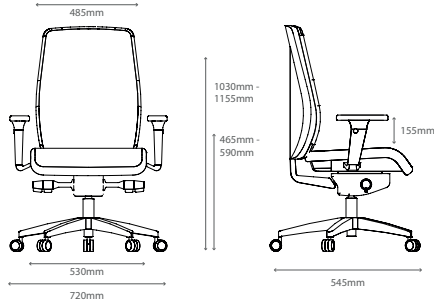
Height range: 1030mm - 1155mm

Seat Height: 465mm - 590mm

Seat Width: 530mm

Back Width: 485mm

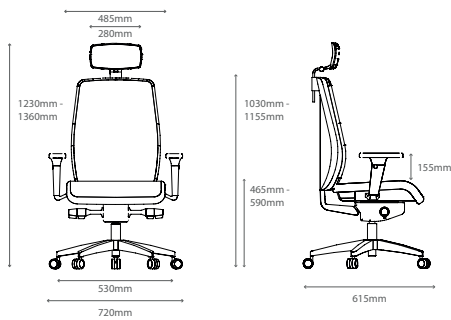
Arm Height from Seat: 155mm



Headrest Width: 280mm

Height range with headrest: 1230mm - 1360mm

Depth: 615mm



Materials

Outer backrest: PP - 100% virgin material. 100% recyclability.

Backrest, Backrest Component, Telescopic bellow, Underseat,; PP - 100% recycled material. 100% recyclability.

J-Bar: PAGF- 100% virgin material. 0% recyclability

Armrest Component, Up-Down: PAGF- 100% recycled material. 100% recyclability.

Armrest Component: TPU - 100% recycled material 100% recyclability

Up-Down Component: POM - 100% virgin material. 100% recyclability.

Seat: PPK - 100% recycled material. 100% recyclability.

Castor: PPGF - 100% recycled material. 100% recyclability.

Optional Fabric Seat Pad

Available in a range of fabric brands from group 1-5. More brands available upon request.

Base Finishes

Standard Flexiform finishes.



Black base only



Aluminium Base

Plastic Finishes

Standard Flexiform finishes.



Black Plastic Frame (Standard)

Code: B



White Plastic Frame (Only available

with Aluminium Base. Code: W