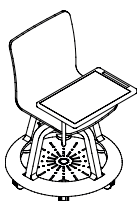




college seminar chair datasheet

Extent of Range

College chair is suitable for classrooms, training rooms, and seminars and features a bag storage space underneath and moveable laptop table.



Features

Type: Seminar chair.

Shell: One piece moulded polypropylene plastic in a range of colours.

Optional Seat Pad: 30mm thick CMHR foam core with fabric upholstery in various fabrics with Velcro fastening.

Base: Under seat plastic storage tray with 6 non-locking plastic castors.

Orbital Writing tablet: Foldable white writing tablet with black edging and pen holder.

Grey 360 degree rotatable stem suitable for right and left handed users attaching to central column.

Product Environmental Certification



Delivery

This range is delivered pre-assembled by the Flexiform installation team, wrapped for protection.

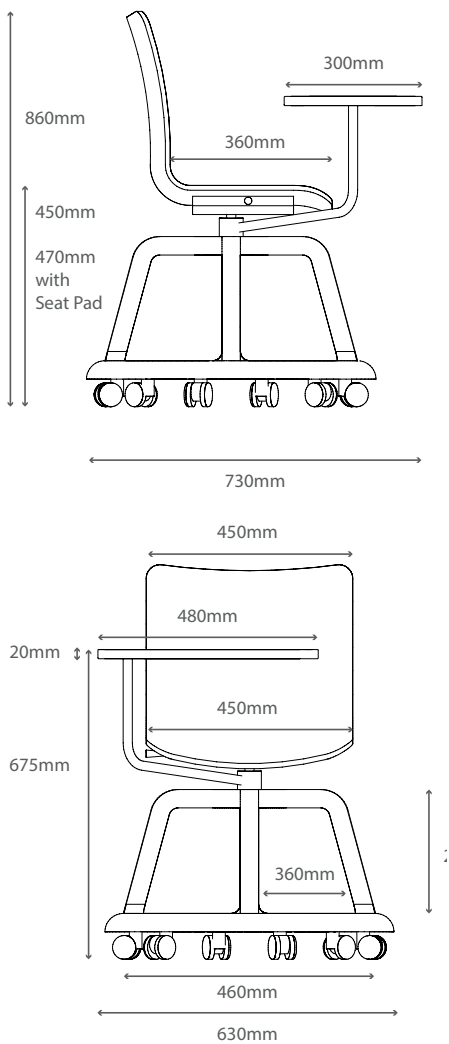
Product Warranty

10 years subject to our standard T&C's. See the Flexiform Standard Warranty document for more information.

flexiform

Dimensions

Overall Width: 630mm
Overall Depth: 730mm
Overall Height: 860mm
Seat Height: 450mm
Seat Height with Seat Pad: 470mm
Seat Width: 450mm
Seat Depth: 360mm
Back Width: 450mm
Writing Tablet Height: 675mm
Writing Tablet Depth: 300mm
Writing Tablet Width: 480mm
Writing Tablet Thickness: 20mm
Storage Compartment Height: 250mm
Storage Compartment Diameter: 460mm
Storage Compartment Aperture: 360mm



Materials

Polypropylene: Lightweight plastic moulded and shaped to give an ergonomic seat. The hardwearing material will withstand all element of everyday use.

Fabric Seat Pad

Available in a range of fabric brands from group 0 – 8. Choose from Camira and Gabriel fabrics as standard. More brands available upon request.

Plastic Base Finishes

Standard Flexiform finishes.



Grey Base and Stem

Plastic Base Finishes

Standard Flexiform finishes.



Grey Plastic Seat
Code: GY



Yellow Plastic Seat
Code: YW



Orange Plastic Seat
Code: OR



Green Plastic Seat
Code: GN



Blue Plastic Seat
Code: BU



Red Plastic Seat
Code: RE