

equity task chair /mesh back datasheet

Extent of Range

Equity task chair with body balance, optional seat slide and a choice of mesh or upholstered back.



Delivery

This range is delivered pre-assembled by the Flexiform installation team, wrapped for protection.

Product Warranty

10 years subject to our standard T&C's. See the Flexiform Standard Warranty document for more information.

Features

Type: Operator/ Task Chair

Frame: Moulded polypropylene frame in white or black finish.

Mesh: Supportive mesh back with 100mm adjustable lumbar support.

Arms: No arms, 2D polypropylene arms with up/down adjustment or 4D arms (up/down adjustment with 180 degree rotation and arm rests adjust forwards/backwards). Black finish only.

Optional Seat Slide: 60mm of adjustment.

Base: 5 star nylon base with 65mm non locking hard castors for carpeted surfaces. Soft castors available on request. Polished aluminium base available.

Mechanisms: Equity task chair with body balance mechanism, the chair responds to the users weight and movement throughout the day, adjusting to support each person automatically.

Optional Headrest: Fixed curved headrest for comfort. Manufactured from polyurethane. Black finish only.

Weight Limit: 110Kg

Product Certification

Tested to: EN 1335-2:2018, BS EN 1335 office work chair, part 1, (dimensions) and BS EN ISO 9241, 1999, part 5, (workstation layout and postural requirements).

Manufactured to ISO 9001, ISO 14001 & ISO 18001.

Product Environmental Certification



Environmental Manufacturing

Chair components manufactured from a blend of recycled materials at a minimum quantity of 30%. Certificate n° 030/2019.

Any rejected plastic production waste is 100% recycled

Dimensions

Overall Width Without Arms: 605mm

Overall Width With Arms: 660mm

Overall Depth: 590mm

Overall Height: 1080mm

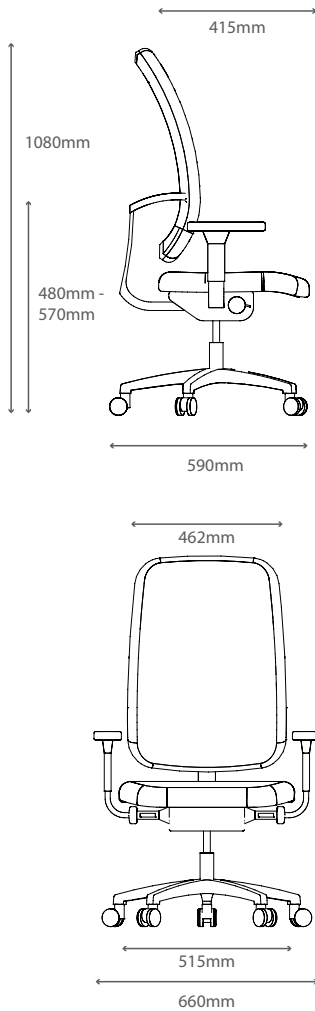
Seat Height: 480mm - 570mm

Seat Width: 515mm

Seat Depth: 415mm

Back Width: 462mm

Seat Slide: 60mm



Materials

Polypropylene: Light weight plastic with ability to be moulded and shaped to an ergonomic seat. Tough material to withstand everyday use.

Mesh: Gabriel Web Mesh. Made from 74% recycled post-consumer polyester. 100% recyclable polyester. No heavy metal. Cradle-to-Cradle certified Bronze. Abrasion: 100,000 rubs. BS EN 1021 1&2 Cigarette and Match. BS 5852 Part 1, 0, 1 Cigarette & Match.

Seat Core: FSC timber and nylon core for strength.

Fabric Seat

Available in a range of fabric brands from group 1-5 & Leather. Choose from Camira and Gabriel fabrics as standard. More brands available upon request.

Mesh Finishes

Standard Flexiform finishes.



Gabriel Web Black
Code: 01101



Gabriel Web Dark Grey
Code: 02101



Gabriel Web Mid Grey
Code: 03101

Base Finishes

Standard Flexiform finishes.



Polished Aluminium Base



Black Base

Optional Arm Finishes

Standard Flexiform finishes.



Black Arms

Optional Headrest Finishes

Standard Flexiform finishes.



Black Headrest