



equity task chair /upholstered back datasheet

Extent of Range

Equity task chair with body balance, optional seat slide and a choice of mesh or upholstered back.



Delivery

This range is delivered pre-assembled by the Flexiform installation team, wrapped for protection.

Product Warranty

10 years subject to our standard T&C's. See the Flexiform Standard Warranty document for more information.

Features

Type: Operator/ Task Chair

Frame: Moulded polypropylene frame in white or black finish.

Back: Upholstered back.

Arms: No arms, 2D polypropylene arms with up/down adjustment or 4D arms (up/down adjustment with 180 degree rotation and arm rests adjust forwards/backwards). Black finish only.

Optional Seat Slide: 60mm of adjustment.

Base: 5 star nylon base with 65mm non locking hard castors for carpeted surfaces. Soft castors available on request. Polished aluminium base available.

Mechanisms: Equity task chair with body balance mechanism, the chair responds to the users weight and movement throughout the day, adjusting to support each person automatically.

Optional Headrest: Fixed curved headrest for comfort. Manufactured from polyurethane. Black finish only.

Weight Limit: 110Kg

Product Certification

Tested to BS EN 1335 Parts 1, 2 and 3 Strength, durability and safety requirements for commercial seating.

Manufactured to ISO 9001, ISO 14001 & ISO 18001.

Product Environmental Certification



Environmental Manufacturing

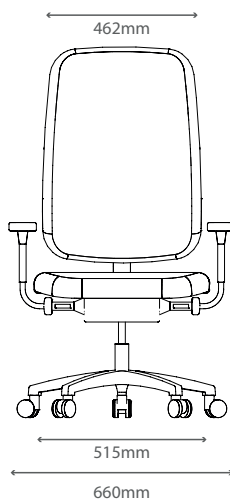
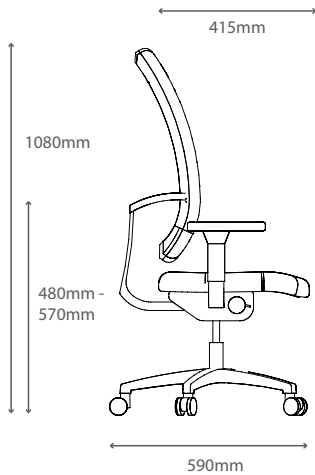
Chair components manufactured from a blend of recycled materials at a minimum quantity of 30%. Certificate n° 030/2019.

Any rejected plastic production waste is 100% recycled

flexiform

Dimensions

Overall Width Without Arms: 605mm
Overall Width With Arms: 660mm
Overall Depth: 590mm
Overall Height: 1080mm
Seat Height: 480mm - 570mm
Seat Width: 515mm
Seat Depth: 415mm
Back Width: 462mm
Seat Slide: 60mm



Materials

Polypropylene: Light weight plastic with ability to be moulded and shaped to an ergonomic seat. Tough material to withstand everyday use.

Seat Core: FSC timber and nylon core for strength.

Fabric Seat and Back

Available in a range of fabric brands from group 1-5 & Leather. Choose from Camira and Gabriel fabrics as standard. More brands available upon request.

Base Finishes

Standard Flexiform finishes.



Polished Aluminium Base



Black Base

Optional Arm Finishes

Standard Flexiform finishes.



Black Arms

Optional Headrest Finishes

Standard Flexiform finishes.



Black Headrest