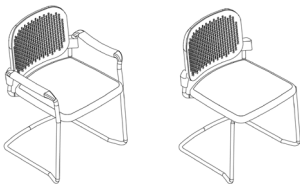


## equity visitor chair /plastic back datasheet

### Extent of Range

Equity is a versatile meeting and visitor chair with 3 back options, black or chrome 4 legs and a choice of laptop table.



### Delivery

This range is delivered pre-assembled by the Flexiform installation team, wrapped for protection.

### Product Warranty

10 years subject to our standard T&C's. See the Flexiform Standard Warranty document for more information.

### Features

**Type:** Meeting/ breakout/ seminar chair.

**Back:** One-piece injection moulded polypropylene plastic with perforated breathable design.

**Seat:** FSC timber and nylon core with Combustion Modified High Resilience (CMHR) foam. Waterfall seat for comfort.

**Base:** Chrome cantilever frame manufactured from steel tube.

**Optional Arms:** Plastic fixed twin arm in black with option for writing tablet.

**Stacking:** Stacks 4 high

### Product Certification

BS EN 16139:2013 Test Level 1 & 2. Strength, durability and safety requirements for commercial seating.

Manufactured to ISO 9001, ISO 14001 & ISO 18001.

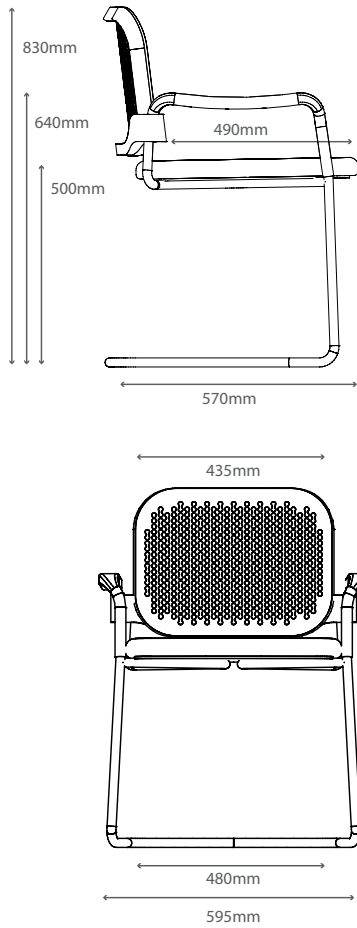
### Product Environmental Certification



---

### Dimensions

Overall Width Without Arms: 545mm  
Overall Width With Arms: 595mm  
Overall Depth: 570mm  
Overall Height: 830mm  
Seat Height: 500mm  
Seat Width: 480mm  
Seat Depth: 490mm  
Back Width: 435mm  
Overall Arm Height: 640mm  
Arm Height from Seat: 140mm



---

### Materials

**Polypropylene:** Lightweight plastic with ability to be moulded and shaped to an ergonomic seat. Tough material to withstand everyday use.

**Seat Core:** FSC timber and nylon core for strength.

**Steel Legs:** Steel tube finished in chrome

---

### Fabric Seat

Available in a range of fabric brands from group 1-5 and leather. Choose from Camira, Gabriel, Inloom & Agua fabrics as standard. More brands available upon request.

---

### Plastic Back Finishes

Standard Flexiform finishes.



Black Plastic Only

---

### Frame Finishes

Standard Flexiform finishes.



Chrome Frame

---

### Optional Arm Finishes

Standard Flexiform finishes.



Black Arms