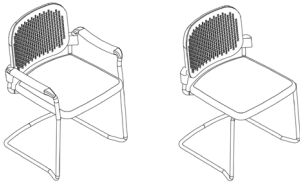




equity visitor chair /plastic back datasheet

Extent of Range

Equity is a versatile meeting and visitor chair with 3 back options, black or chrome 4 legs and an optional writing tablet.



Delivery

This range is delivered pre-assembled by the Flexiform installation team, wrapped for protection.

Product Warranty

10 years subject to our standard T&C's. See the Flexiform Standard Warranty document for more information.

Features

Type: Meeting/ breakout/ seminar chair.

Back: One-piece injection moulded polypropylene plastic with perforated breathable design.

Seat: FSC timber and nylon core with Combustion Modified High Resilience (CMHR) foam. Waterfall seat for comfort.

Base: Chrome cantilever frame manufactured from steel tube.

Optional Arms: Plastic fixed twin arm in black with option for writing tablet.

Stacking: Stacks 4 high

Product Certification

BS EN 16139:2013 Test Level 1 & 2. Strength, durability and safety requirements for commercial seating.

Manufactured to ISO 9001, ISO 14001 & ISO 18001.

Product Environmental Certification



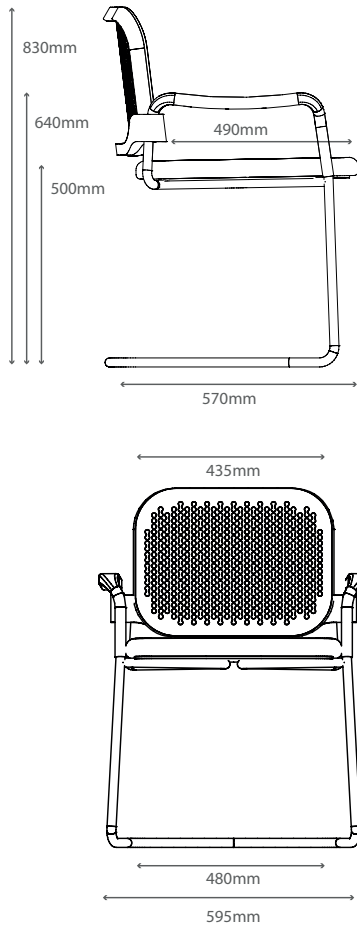
Environmental

Recycled content: 26.87%

Recyclable content: 94.39%

Dimensions

Overall Width Without Arms: 545mm
Overall Width With Arms: 595mm
Overall Depth: 570mm
Overall Height: 830mm
Seat Height: 500mm
Seat Width: 480mm
Seat Depth: 490mm
Back Width: 435mm
Overall Arm Height: 640mm
Arm Height from Seat: 140mm



Materials

Polypropylene: Lightweight plastic with ability to be moulded and shaped to an ergonomic seat. Tough material to withstand everyday use.

Seat Core: FSC timber and nylon core for strength.

Steel Legs: Steel tube finished in chrome

Fabric Seat

Available in a range of fabric brands from group 1-5 and leather. Choose from Camira, Gabriel, Inloom & Agua fabrics as standard. More brands available upon request.

Plastic Back Finishes

Standard Flexiform finishes.



Black Plastic Only

Frame Finishes

Standard Flexiform finishes.



Chrome Frame

Optional Arm Finishes

Standard Flexiform finishes.



Black Arms