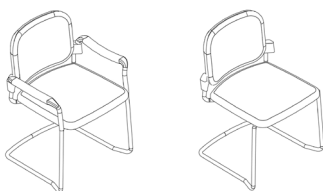




equity visitor chair /upholstered back datasheet

Extent of Range

Equity is a versatile meeting and visitor chair with 3 back options: black or chrome, 4 legs and a choice of laptop table.



Delivery

This range is delivered pre-assembled by the Flexiform installation team, wrapped for protection.

Product Warranty

10 years subject to our standard T&C's.
See the Flexiform Standard Warranty document for more information.

Features

Type: Meeting/ breakout/ seminar chair.

Back: Fully upholstered back with Combustion Modified High Resilience (CMHR) foam.

Seat: FSC timber and nylon core with Combustion Modified High Resilience (CMHR) foam. Waterfall seat for comfort.

Base: Chrome cantilever frame manufactured from steel tube.

Optional Arms: Plastic fixed twin arm in black with option for writing tablet.

Stacking: Stacks 4 high

Product Certification

BS EN 16139:2013 Test Level 1 & 2.
Strength, durability and safety requirements for commercial seating.

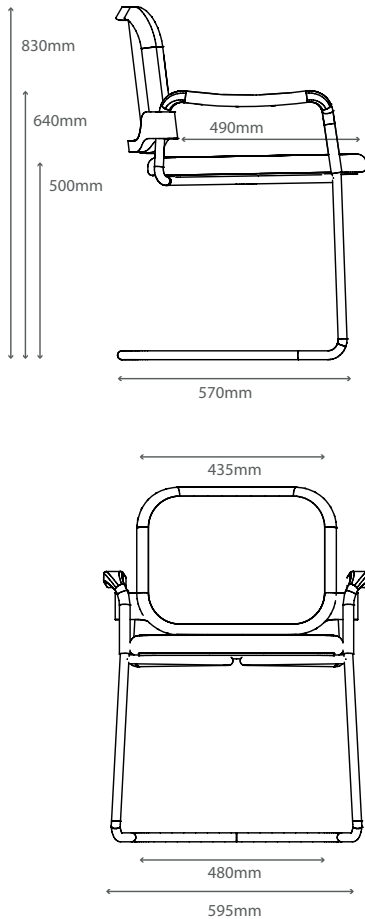
Manufactured to ISO 9001, ISO 14001 & ISO 18001.

Product Environmental Certification



Dimensions

Overall Width Without Arms: 545mm
Overall Width With Arms: 595mm
Overall Depth: 570mm
Overall Height: 830mm
Seat Height: 500mm
Seat Width: 480mm
Seat Depth: 490mm
Back Width: 435mm
Overall Arm Height: 640mm
Arm Height from Seat: 140mm



Materials

Polypropylene: Lightweight plastic with ability to be moulded and shaped to an ergonomic seat. Tough material to withstand everyday use.

Seat Core: FSC timber and nylon core for strength.

Steel Frame: Steel tube finished in chrome.

Fabric Seat and Back

Available in a range of fabric brands from group 1-5 and leather. Choose from Camira, Gabriel, Inloom & Agua fabrics as standard. More brands available upon request.

Frame Finishes

Standard Flexiform finishes.



Chrome Frame

Optional Arm Finishes

Standard Flexiform finishes.



Black Arms