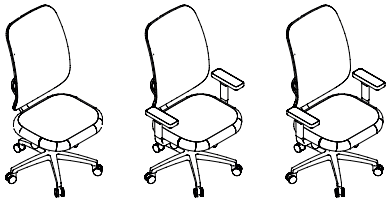


## equity task chair /mesh back datasheet

---

### Extent of Range

Equity task chair with body balance, optional seat slide and a choice of mesh or upholstered back.



---

### Delivery

This range is delivered pre-assembled by the Flexiform installation team, wrapped for protection.

---

### Product Warranty

10 years subject to our standard T&C's. See the Flexiform Standard Warranty document for more information.

---

### Features

**Type:** Operator/ Task Chair

**Frame:** Moulded polypropylene frame in white or black finish.

**Mesh:** Supportive mesh back with 100mm adjustable lumbar support.

**Arms:** No arms, 2D polypropylene arms with up/down adjustment or 4D arms (up/down adjustment with 180 degree rotation and arm rests adjust forwards/backwards). Black finish only.

**Optional Seat Slide:** 60mm of adjustment.

**Base:** 5 star nylon base with 65mm non locking hard castors for carpeted surfaces. Soft castors available on request. Polished aluminium base available.

**Mechanisms:** Equity task chair with body balance mechanism, the chair responds to the users weight and movement throughout the day, adjusting to support each person automatically.

**Optional Headrest:** Fixed curved headrest for comfort. Manufactured from polyurethane. Black finish only.

**Weight Limit:** 110Kg

---

### Product Certification

Tested to BS EN 1335 Parts 1, 2 and 3 Strength, durability and safety requirements for commercial seating.

Manufactured to ISO 9001, ISO 14001 & ISO 18001

---

### Product Environmental Certification



---

### Environmental Manufacturing

Chair components manufactured from a blend of recycled materials at a minimum quantity of 30%. Certificate n° 030/2019.

Any rejected plastic production waste is 100% recycled

---

## Dimensions

Overall Width Without Arms: 605mm

Overall Width With Arms: 660mm

Overall Depth: 590mm

Overall Height: 1080mm

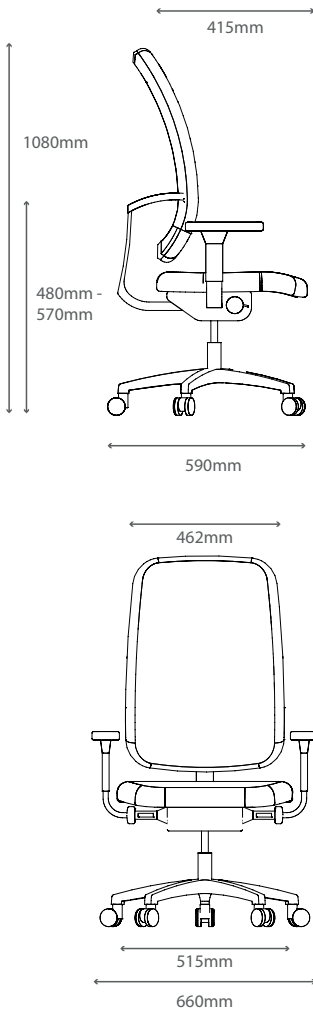
Seat Height: 480mm - 570mm

Seat Width: 515mm

Seat Depth: 415mm

Back Width: 462mm

Seat Slide: 60mm



---

## Materials

**Polypropylene:** Light weight plastic with ability to be moulded and shaped to an ergonomic seat. Tough material to withstand everyday use.

**Mesh:** Gabriel Web Mesh. Made from 74% recycled post-consumer polyester. 100% recyclable polyester. No heavy metal. Cradle-to-Cradle certified Bronze. Abrasion: 100,000 rubs. BS EN 1021 1&2 Cigarette and Match. BS 5852 Part 1, 0, 1 Cigarette & Match.

**Seat Core:** FSC timber and nylon core for strength.

---

## Fabric Seat

Available in a range of fabric brands from group 1-5 & Leather. Choose from Camira and Gabriel fabrics as standard. More brands available upon request.

---

## Mesh Finishes

Standard Flexiform finishes.



Gabriel Web Black  
Code: 01101



Gabriel Web Dark Grey  
Code: 02101



Gabriel Web Mid Grey  
Code: 03101

---

## Base Finishes

Standard Flexiform finishes.



Polished Aluminium Base



Black Base

---

## Optional Arm Finishes

Standard Flexiform finishes.



Black Arms

---

## Optional Headrest Finishes

Standard Flexiform finishes.



Black Headrest