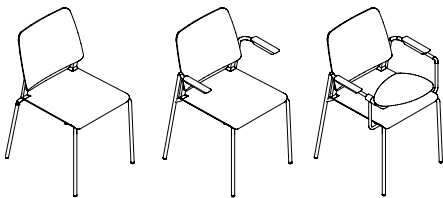




melita stacking chair /4 leg datasheet

Extent of Range

Melita stacking dining chair with various base and arm options.



Delivery

This range is delivered pre-assembled by the Flexiform installation team, wrapped for protection.

Product Warranty

10 years subject to our standard T&C's. See the Flexiform Standard Warranty document for more information

Features

Type: High density stacking multi-use chairs.

Back: Solid polypropylene curved back in a range of colours.

Seat: Polypropylene seat in a range of colours or upholstered with 30mm thick foam.

4 Leg Frame: 18mm steel rod skid base with clear glides finished in chrome. Option to fit castors.

Optional Arms: Rod arms with plastic sleeve armrests to match the back colour. Option for open loop arms.

Optional Writing Tablet: Foldable black writing tablet on chrome rod steel arms.

Stacking: Freestanding only. 6 plastic chairs or 3 plastic chairs with upholstered seat pads.

Optional Linking: Optional linking mechanisms available.

Product Certification

EN 16139:2013 Test Level 2. Strength, durability and safety requirements for commercial seating.

Manufactured to ISO 9001, ISO 14001 & ISO 18001

Product Environmental Certification



Environmental Manufacturing

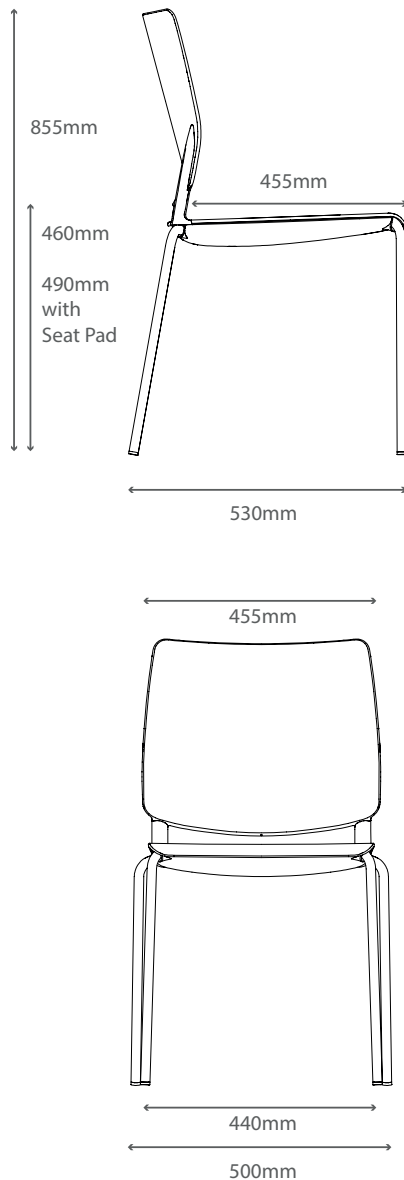
Chair components manufactured from a blend of recycled materials at a minimum quantity of 30%. Certificate n° 030/2019.

Any rejected plastic production waste is 100% recycled.

flexiform

Dimensions

Overall Width Without Arms: 500mm
Overall Width With Arms: 580mm
Overall Depth: 530mm
Overall Height: 855mm
Seat Height: 460mm / 490mm
Seat Width: 440mm
Seat Depth: 455mm
Back Width: 445mm
Overall Arm Height: 670mm
Arm Height from Seat: 210mm



Materials

Polypropylene: Light weight plastic moulded and shaped to give an ergonomic seat. The hardwearing material will withstand all elements of everyday use.

Steel: 18mm steel rod on 4 legged frame finished in chrome. Trivalent chromium (tri-chrome) plating provides added protection extending the product lifecycle.

Optional Fabric Seat Pad

Available in a range of fabric brands from group 1-5 and leather. Choose from Camira, Gabriel, Inloom & Agua fabrics as standard. More brands available upon request.

Base Finishes

Standard Flexiform finishes.



Chrome Leg

Plastic Finishes

Standard Flexiform finishes.



Black Plastic Seat & Back
Code: BK



Grey Plastic Seat & Back
Code: GY



White Plastic Seat & Back
Code: WH



Cream Plastic Seat & Back
Code: CM



Green Plastic Seat & Back
Code: GN



Dark Red Plastic Seat & Back
Code: DR



Dark Blue Plastic Seat & Back
Code: DB