

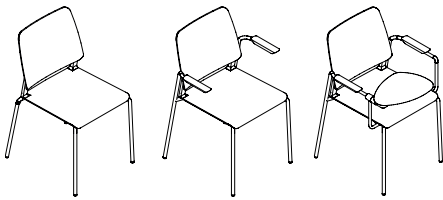


## melita stacking chair /4 leg datasheet

---

### Extent of Range

Melita stacking dining chair with various base and arm options.



---

### Delivery

This range is delivered pre-assembled by the Flexiform installation team, wrapped for protection.

---

### Product Warranty

10 years subject to our standard T&C's. See the Flexiform Standard Warranty document for more information

---

### Features

**Type:** High density stacking multi-use chairs.

**Back:** Solid polypropylene curved back in a range of colours.

**Seat:** Polypropylene seat in a range of colours or upholstered with 30mm thick foam.

**4 Leg Frame:** 18mm steel rod skid base with clear glides finished in chrome or black paint. Option to fit castors.

**Optional Arms:** Rod arms with plastic sleeve armrests to match the back colour. Option for open loop arms. Please note, arms only available in chrome.

**Optional Writing Tablet:** Foldable black writing tablet on chrome rod steel arms.

**Stacking:** Freestanding only. 6 plastic chairs or 3 plastic chairs with upholstered seat pads.

**Optional Linking:** Optional linking mechanisms available.

---

### Product Certification

EN 16139:2013 Test Level 2. Strength, durability and safety requirements for commercial seating.

Manufactured to ISO 9001, ISO 14001 & ISO 18001

---

### Product Environmental Certification



---

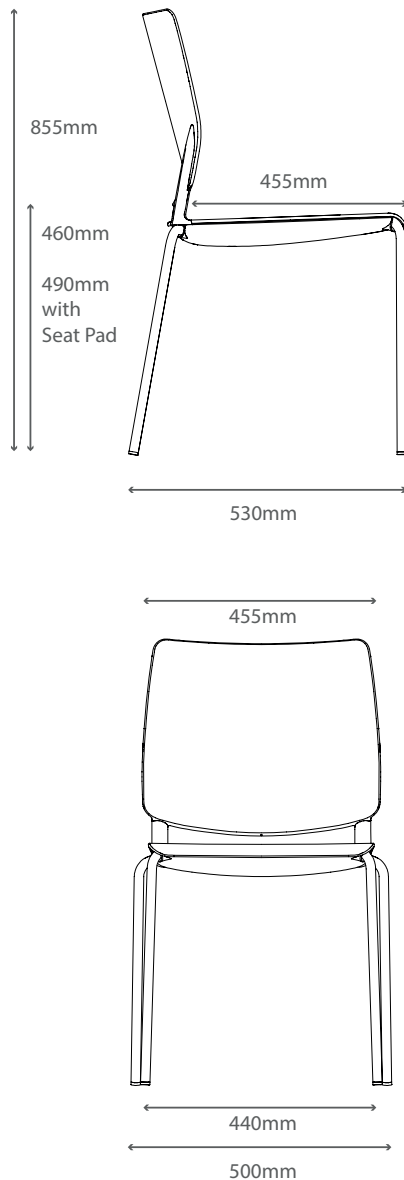
### Environmental Manufacturing

Recycled Content: 8.60%

Recyclable Content: 100%

### Dimensions

Overall Width Without Arms: 500mm  
Overall Width With Arms: 580mm  
Overall Depth: 530mm  
Overall Height: 855mm  
Seat Height: 460mm / 490mm  
Seat Width: 440mm  
Seat Depth: 455mm  
Back Width: 445mm  
Overall Arm Height: 670mm  
Arm Height from Seat: 210mm



### Materials

**Polypropylene:** Light weight plastic moulded and shaped to give an ergonomic seat. The hardwearing material will withstand all elements of everyday use.

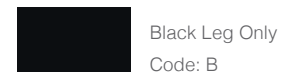
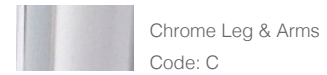
**Steel:** 18mm steel rod on 4 legged frame finished in chrome or black paint. Trivalent chromium (tri-chrome) plating provides added protection extending the product lifecycle.

### Optional Fabric Seat Pad

Available in a range of fabric brands from group 1-5 and leather. Choose from Camira, Gabriel, Inloom & Agua fabrics as standard. More brands available upon request.

### Base Finishes

Standard Flexiform finishes.



### Plastic Finishes

Standard Flexiform finishes.

