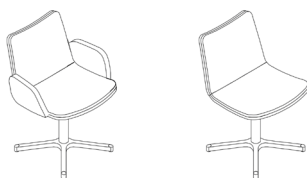




miss collaborative chair /4 star base datasheet

Extent of Range

Miss chair with a choice of frame styles including chrome skid base, 4 and 5 star polished bases or an oak base.



Delivery

This range is delivered pre-assembled by the Flexiform installation team, wrapped for protection.

Product Warranty

10 years subject to our standard T&C's. See the Flexiform Standard Warranty document for more information.

Features

Type: Standalone meeting/ breakout/ seminar/ work chair.

Frame: FSC plywood core with 50mm Moulded CMHR foam.

Base: Polished aluminium 4 star base with 360 degree swivel mechanism.

Optional Arms: Fully upholstered arms. Arms are always 1 fabric to match the seat fabric.

Upholstery: Fully upholstered. Single or two tone upholstery. Two tone option one features fabric 1: back and fabric 2: seat.

Two tone option two features fabric 1: inside and fabric 2: outside. Two tone fabric must be of the same price bracket.

Product Certification

BS EN 16139:2013 Test Level 1 & 2. Strength, durability and safety requirements for commercial seating.

Manufactured to ISO 9001, ISO 14001 & ISO 18001.

Product Environmental Certification

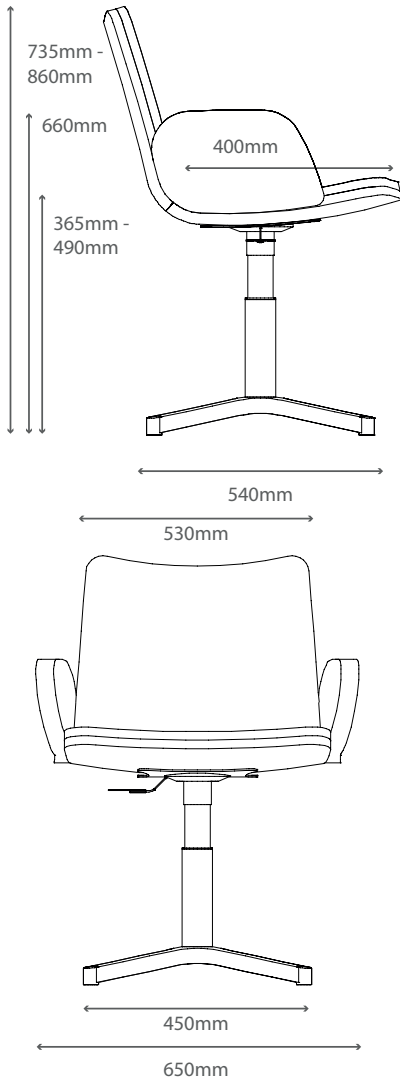


Environmental Manufacturing

Chair components manufactured from a blend of recycled materials at a minimum quantity of 30%. Certificate n° 030/2019.

Dimensions

Overall Width Without Arms: 530mm
Overall Width With Arms: 650mm
Overall Depth: 540mm
Overall Height: 735mm - 860mm
Seat Height: 365mm - 490mm
Seat Width: 530mm
Seat Depth: 400mm
Back Width: 400mm
Back Height: 410mm
Arm Height: 660mm
Arm Length: 235mm



Materials

Steel: 12mm steel tube finished in chrome. Trivalent chromium (tri-chrome) plating provides added protection extending the product lifecycle.

Aluminium: Strong and lightweight material with ability to be cast to varying shapes. 100% recyclable.

Base Finishes

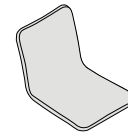
Standard Flexiform finishes.



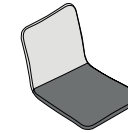
Polished Aluminium

Fabric

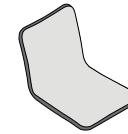
Available in a range of fabric brands from group 1-5 & Leather. Choose from Camira and Gabriel fabrics as standard. More brands available upon request.



Single fabric on all sides.



Two tone option one: fabric 1: back and fabric 2: seat. Two tone fabric must be of the same price bracket.



Two tone option two: fabric 1: inside and fabric 2: outside. Two tone fabric must be of the same price bracket.