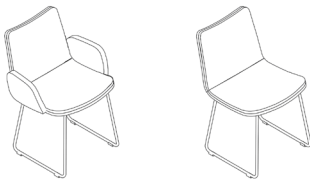


## miss collaborative chair /skid frame datasheet

---

### Extent of Range

Miss chair with a choice of frame styles including chrome skid base, 4 and 5 star polished bases and an oak base.



---

### Delivery

This range is delivered pre-assembled by the Flexiform installation team, wrapped for protection.

---

### Product Warranty

10 years subject to our standard T&C's. See the Flexiform Standard Warranty document for more information.

---

### Features

**Type:** Standalone meeting/ breakout/ seminar/ work chair.

**Frame:** FSC plywood Core with 50mm moulded CMHR foam.

**Legs:** 12mm steel rod skid frame with chrome or black finish. Clear glides.

**Optional Arms:** Fully upholstered arms. Arms are always 1 fabric to match the seat fabric.

**Upholstery:** Fully upholstered. Single or two tone upholstery. Two tone option one features fabric 1: back and fabric 2: seat.

Two tone option two features fabric 1: inside and fabric 2: outside. Two tone fabric must be of the same price bracket.

---

### Product Certification

BS EN 16139:2013 Test Level 1 & 2. Strength, durability and safety requirements for commercial seating.

Manufactured to ISO 9001, ISO 14001 & ISO 18001.

---

### Product Environmental Certification



---

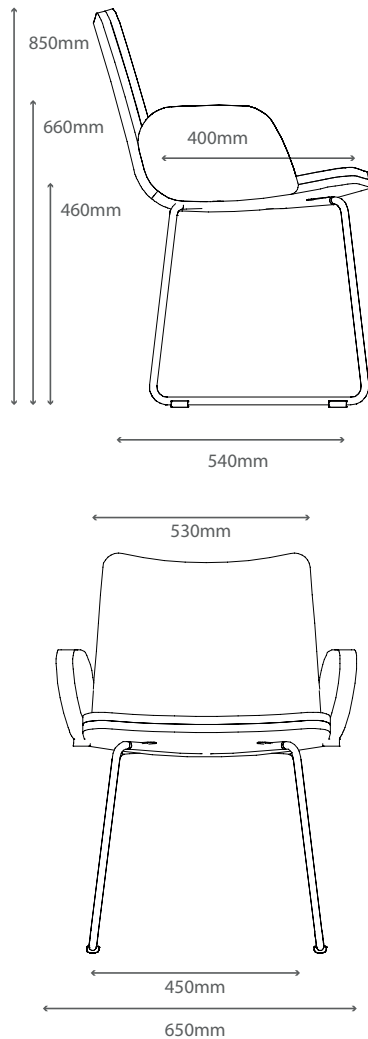
### Environmental

Recycled content: 33.62%

Recyclable content: 93.14%

### Dimensions

Overall Width Without Arms: 530mm  
Overall Width With Arms: 650mm  
Overall Depth: 540mm  
Overall Height: 850mm  
Seat Height: 460mm  
Seat Width: 530mm  
Seat Depth: 400mm  
Back Width: 400mm  
Back Height: 410mm  
Arm Height: 660mm  
Arm Length: 235mm



### Materials

Steel: 12mm steel tube finished in chrome or black paint. Trivalent chromium (tri-chrome) plating provides added protection extending the product lifecycle.

### Base Finishes

Standard Flexiform finishes.



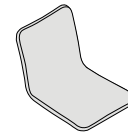
Chrome Leg  
Code: C



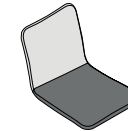
Black Leg  
Code: B

### Fabric

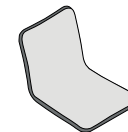
Available in a range of fabric brands from group 1-5 & Leather. Choose from Camira and Gabriel fabrics as standard. More brands available upon request.



Single fabric on all sides.



Two tone option one: fabric 1: back and fabric 2: seat. Two tone fabric must be of the same price bracket.



Two tone option two: fabric 1: inside and fabric 2: outside. Two tone fabric must be of the same price bracket.