

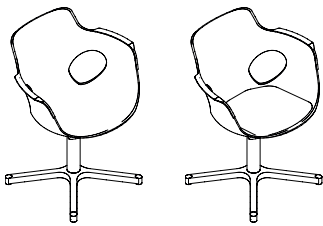


## olé mono-shell chair /4 star base datasheet

---

### Extent of Range

Olé chair with a choice of 4 frame styles; 4 leg, skid base, polished aluminium 4 star, and polished aluminium 5 star with castors.



---

### Delivery

This range is delivered pre-assembled by the Flexiform installation team, wrapped for protection.

---

### Product Warranty

10 years subject to our standard T&C's. See the Flexiform Standard Warranty document for more information.

---

### Features

**Type:** Mono-shell chair.

**Shell:** One piece moulded polypropylene shell.

**Arms:** Integrated lip arms with open section.

**Base:** Polished aluminium 4 star base with 180 degree swivel mechanism.

**Optional Upholstered Seat Pad:** 30mm thick CMHR foam core with fabric upholstery in various fabrics with Velcro fastening.

---

### Product Certification

BS EN 16139:2013 Test Level 1 & 2. Strength, durability and safety requirements for commercial seating.

Manufactured to ISO 9001, ISO 14001 & ISO 18001.

---

### Product Environmental Certification



---

### Environmental Manufacturing

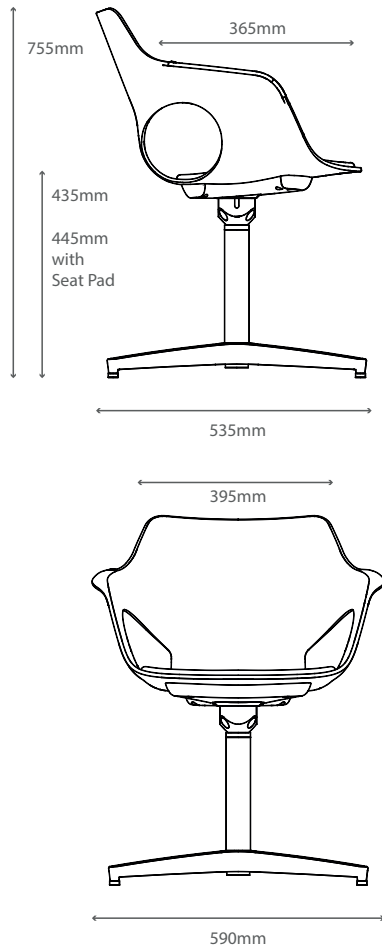
Chair components manufactured from a blend of recycled materials at a minimum quantity of 30%. Certificate n° 030/2019.

Any rejected plastic production waste is 100% recycled.

---

### Dimensions

Overall Width: 590mm  
Overall Depth: 535mm  
Overall Height: 755mm  
Seat Height: 435mm  
Seat Width: 395mm  
Seat Depth: 365mm  
Back Width: 395mm



---

### Materials

**Polypropylene:** Lightweight plastic moulded and shaped to give an ergonomic seat. The hardwearing material will withstand all elements of everyday use.

**Aluminium:** Strong and lightweight material with ability to be cast to varying shapes. Aluminium is also a sound absorber and is 100% recyclable.

---

### Optional Fabric Seat Pad

Available in a range of fabric brands from group 1-5 and leather. Choose from Camira, Gabriel, Inloom & Agua fabrics as standard. More brands available upon request.

---

### Base Finishes

Standard Flexiform finishes.



Polished Aluminium

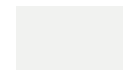
---

### Mono-Shell Finishes

Standard Flexiform finishes.



Dark Grey Mono-Shell  
Code: DG



White Mono-Shell  
Code: WH



Cream Mono-Shell  
Code: CM



Mustard Mono-Shell  
Code: MU



Light Blue Mono-Shell  
Code: LB



Turquoise Mono-Shell  
Code: TU



Coral-Red Mono-Shell  
Code: CR