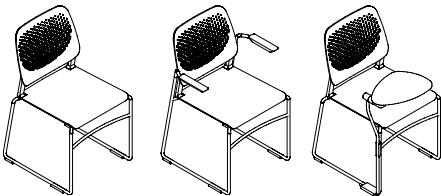




## one-shot stacking chair /skid base datasheet

### Extent of Range

One-Shot stacking dining chair with various base and arm options.



### Delivery

This range is delivered pre-assembled by the Flexiform installation team, wrapped for protection.

### Product Warranty

10 years subject to our standard T&C's. See the Flexiform Standard Warranty document for more information.

### Features

**Type:** High density stacking multi-use chairs.

**Back:** Perforated polypropylene curved back in a range of colours.

**Seat:** Polypropylene seat in a range of colours or upholstered with 30mm thick foam.

**Skid Base Frame:** 11mm steel rod 4 leg frame with feet levelling and finished in chrome.

**Optional Arms:** Rod arms with plastic sleeve armrests to match the back colour.

Option for open loop arms.

**Optional Writing Tablet:** Foldable black writing tablet which clips to the frame.

**Stacking:** Freestanding: 6 plastic chairs or 3 plastic chairs with upholstered seat pads. With stacking trolley: 20 plastic chairs or 12 plastic chairs with upholstered seat pads.

**Optional Linking:** Optional linking mechanisms available.

### Product Certification

EN 16139:2013 Test Level 2. Strength, durability and safety requirements for commercial seating.

Manufactured to ISO 9001, ISO 14001 & ISO 18001.

### Product Environmental Certification



### Environmental Manufacturing

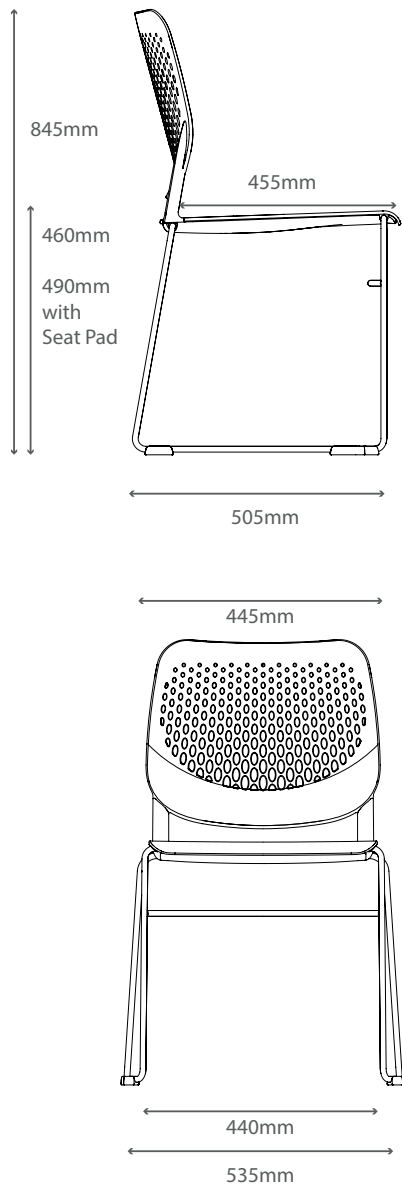
Chair components manufactured from a blend of recycled materials at a minimum quantity of 30%. Certificate n° 030/2019.

Any rejected plastic production waste is 100% recycled.

flexiform

### Dimensions

Overall Width Without Arms: 535mm  
Overall Width With Arms: 580mm  
Overall Depth: 505mm  
Overall Height: 845mm  
Seat Height: 460mm  
Seat Width: 440mm  
Seat Depth: 455mm  
Back Width: 445mm  
Overall Arm Height: 670mm  
Arm Height from Seat: 210mm



### Materials

**Polypropylene:** Light weight plastic moulded and shaped to give an ergonomic seat. The hardwearing material will withstand all elements of everyday use.

**Steel:** 11mm on skid frame finished in chrome. Trivalent chromium (tri-chrome) plating provides added protection extending the product lifecycle.

### Optional Fabric Seat Pad

Available in a range of fabric brands from group 1-5 and leather. Choose from Camira, Gabriel, Inloom & Agua fabrics as standard. More brands available upon request.

### Base Finishes

Standard Flexiform finishes.



Chrome Leg

### Plastic Finishes

Standard Flexiform finishes.



Black Plastic Seat & Back  
Code: BK



White Plastic Seat & Back  
Code: WH



Cream Plastic Seat & Back  
Code: CM



Mustard Plastic Seat & Back  
Code: MU



Turquoise Plastic Seat & Back  
Code: TU



Dark Red Plastic Seat & Back  
Code: DR



Dark Blue Plastic Seat & Back  
Code: DB