

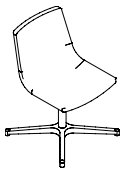


## valido chair /4 star base datasheet

---

### Extent of Range

Valido chair with a choice of frame styles including chrome skid base, 4 star polished base and 4 leg wooden and rased wooden base.



---

### Delivery

This range is delivered pre-assembled by the Flexiform installation team, wrapped for protection.

---

### Product Warranty

10 years subject to our standard T&C's. See the Flexiform Standard Warranty document for more information.

---

### Features

**Type:** Standalone lounge and relaxed meeting chair.

**Frame:** FSC Plywood core with 50mm Moulded CMHR foam.

**Base:** Polished aluminium 4 star base with 360 degree swivel mechanism.

**Upholstery:** Fully upholstered. Single or two tone upholstery. Two tone option one features fabric 1: back and fabric 2: seat. Two tone option two features fabric 1: inside and fabric 2: outside. Two tone fabric must be of the same price bracket.

---

### Product Certification

BS EN 16139:2013 Test Level 1 & 2. Strength, durability and safety requirements for commercial seating.

Manufactured to ISO 9001, ISO 14001 & ISO 18001.

---

### Product Environmental Certification



---

### Environmental

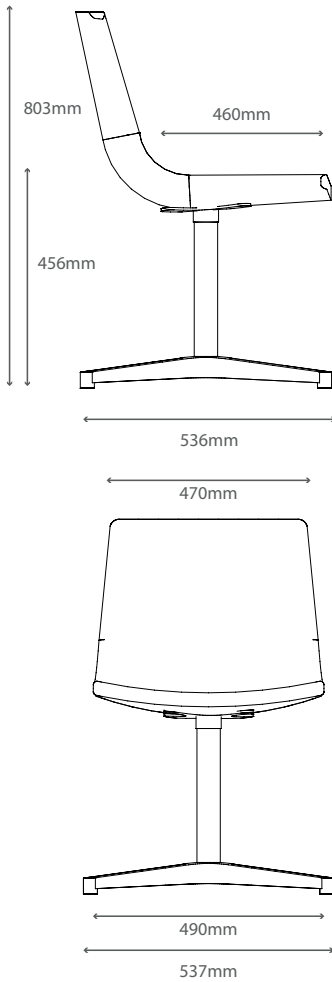
Recycled content: 34.48%

Recyclable content: 90.96%

---

### Dimensions

Overall Width: 537mm  
Overall Depth: 536mm  
Overall Height: 803mm  
Seat Height: 456mm  
Seat Width: 490mm  
Seat Depth: 460mm  
Back Width: 470mm



---

### Materials

**Aluminium:** Strong and lightweight material with ability to be cast to varying shapes. 100% recyclable.

---

### Base Finishes

Standard Flexiform finishes.

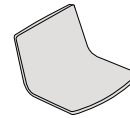


Polished Aluminium

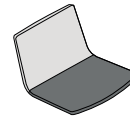
---

### Fabric

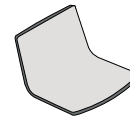
Available in a range of fabric brands from group 1-5 and leather. Choose from Camira, Gabriel, Inloom & Agua fabrics as standard. More brands available upon request.



Single fabric on all sides.



Two tone option one: fabric 1: back and fabric 2: seat. Two tone fabric must be of the same price bracket.



Two tone option two: fabric 1: inside and fabric 2: outside. Two tone fabric must be of the same price bracket.