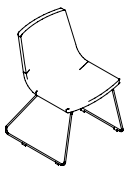




valido chair /skid frame datasheet

Extent of Range

Valido chair with a choice of frame styles including chrome skid base, 4 star polished bases and 4 leg and raised wooden base.



Delivery

This range is delivered pre-assembled by the Flexiform installation team, wrapped for protection.

Product Warranty

10 years subject to our standard T&C's. See the Flexiform Standard Warranty document for more information.

Features

Type: Standalone lounge and relaxed meeting chair.

Frame: FSC plywood Core with 50mm Moulded CMHR foam.

Legs: 12mm steel rod skid frame with chrome finish. Clear glides.

Upholstery: Fully upholstered. Single or two tone upholstery. Two tone option one features fabric 1: back and fabric 2: seat.

Two tone option two features fabric 1: inside and fabric 2: outside. Two tone fabric must be of the same price bracket.

Product Certification

BS EN 16139:2013 Test Level 1 & 2. Strength, durability and safety requirements for commercial seating.

Manufactured to ISO 9001, ISO 14001 & ISO 18001.

Product Environmental Certification

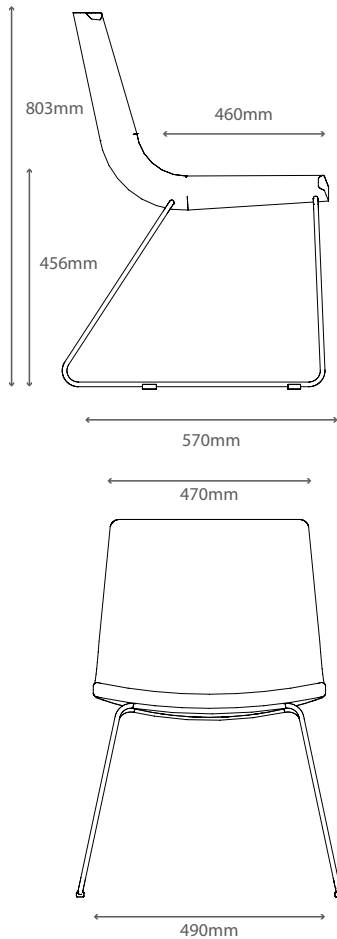


Environmental Manufacturing

Chair components manufactured from a blend of recycled materials at a minimum quantity of 30%. Certificate n° 030/2019.

Dimensions

Overall Width: 566mm
Overall Depth: 570mm
Overall Height: 803mm
Seat Height: 456mm
Seat Width: 490mm
Seat Depth: 460mm
Back Width: 470mm



Materials

Steel: 12mm steel tube finished in chrome.
Trivalent chromium (tri-chrome) plating provides added protection extending the product lifecycle.

Base Finishes

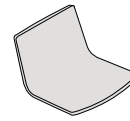
Standard Flexiform finishes.



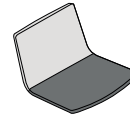
Chrome Leg

Fabric

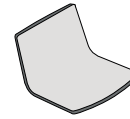
Available in a range of fabric brands from group 1-5 and leather. Choose from Camira, Gabriel, Inloom & Agua fabrics as standard. More brands available upon request.



Single fabric on all sides.



Two tone option one: fabric 1: back and fabric 2: seat. Two tone fabric must be of the same price bracket.



Two tone option two: fabric 1: inside and fabric 2: outside. Two tone fabric must be of the same price bracket.