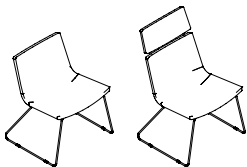




valido lounge chair /skid frame datasheet

Extent of Range

Valido chair with a choice of frame styles including a chrome skid base, 4 star polished bases and 4 leg and rased wooden base. Optional headrest.



Delivery

This range is delivered pre-assembled by the Flexiform installation team, wrapped for protection.

Product Warranty

10 years subject to our standard T&C's. See the Flexiform Standard Warranty document for more information.

Features

Type: Standalone lounge and relaxed lounge chair.

Frame: FSC plywood Core with 50mm Moulded CMHR foam.

Legs: 12mm steel rod skid frame with chrome finish. Clear glides.

Optional Headrest: Fully upholstered headrest with chrome rod steel connection.

Upholstery: Fully upholstered. Single or two tone upholstery. Two tone option one features fabric 1: back and fabric 2: seat.

Two tone option two features fabric 1: inside and fabric 2: outside. Two tone fabrics must be of the same price bracket.

Product Certification

BS EN 16139:2013 Test Level 1 & 2. Strength, durability and safety requirements for commercial seating.

Manufactured to ISO 9001, ISO 14001 & ISO 18001.

Product Environmental Certification

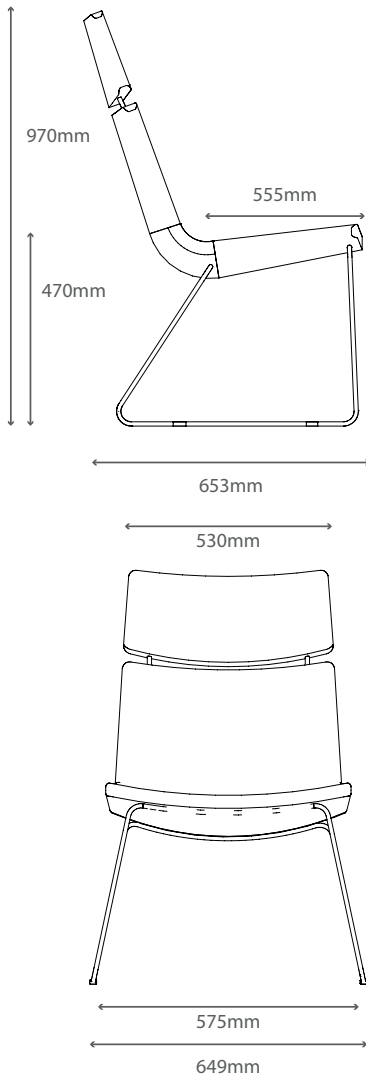


Environmental Manufacturing

Chair components manufactured from a blend of recycled materials at a minimum quantity of 30%. Certificate n° 030/2019.

Dimensions

Overall Width: 649mm
Overall Depth: 653mm
Overall Height without Headrest: 753mm
Overall Height with Headrest: 970mm
Seat Height: 470mm
Seat Width: 575mm
Seat Depth: 555mm
Back Width: 530mm



Materials

Steel: 12mm steel tube finished in chrome. Trivalent chromium (tri-chrome) plating provides added protection extending the product lifecycle.

Base Finishes

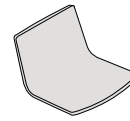
Standard Flexiform finishes.



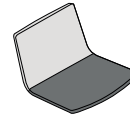
Chrome Leg

Fabric

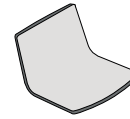
Available in a range of fabric brands from group 1-5 and leather. Choose from Camira, Gabriel, Inloom & Agua fabrics as standard. More brands available upon request.



Single fabric on all sides.



Two tone option one: fabric 1: back and fabric 2: seat. Two tone fabric must be of the same price bracket.



Two tone option two: fabric 1: inside and fabric 2: outside. Two tone fabric must be of the same price bracket.

Headrest follows the back support. Eg. One two tone option one, the headrest is upholstered in the back fabric. On two tone option two, the headrest is upholstered inside/ outside as seat.