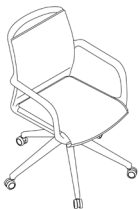




## cyla chair/ 5 star base datasheet

### Extent of Range

Cyla is a versatile mesh back meeting and work chair with 3 base options, integral arms and black painted frame.



### Delivery

This range is delivered pre-assembled by the Flexiform installation team, wrapped for protection.

### Product Guarantee

10 years subject to T&C's. See the Flexiform Warranty document for more information.

### Features

**Type:** Meeting & work chair

**Back:** One piece injection moulded polypropylene plastic with mesh supportive back. Black mesh and black fabric.

**Seat:** FSC timber and nylon core with Combustion Modified High Resilience (CMHR) foam. Waterfall seat for comfort.

**Base:** 5 star base with 60mm free castor in black. 12 degree tilt mechanism with easy-use lever.

**Arms:** Plastic fixed twin arm in black.

### Product Certification

EN 16139:2013 Test Level 1. Strength, durability and safety requirements for commercial seating.

Manufactured to ISO 9001, ISO 14001 & ISO 18001.

### Product Environmental Certification



---

### Dimensions

Overall Width: 700mm

Overall Depth: 700mm

Overall Height: 920mm - 1000mm

Seat Height: 480mm - 560mm

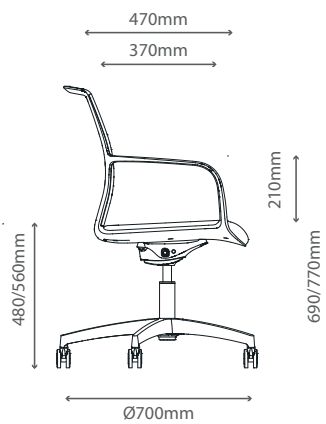
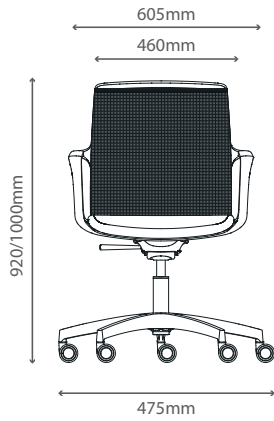
Seat Width: 475mm

Seat Depth: 470mm

Back Width: 460mm

Overall Arm Height: 690mm - 770mm

Arm Height from Seat: 210mm



---

### Materials

**Polypropylene:** Light weight plastic with ability to be moulded and shaped to an ergonomic seat. Tough material to withstand everyday use.

**Seat Core:** FSC timber and nylon core for strength.

---

### Fabric Seat

Available in a range of fabric brands from group 1 – 5 & Leather from multiple fabric manufacturers.

---

### Mesh Finishes

Standard Flexiform finishes.



Only available in Black

---

### Frame, Arms & Base

Standard Flexiform finishes.



Only available in Black