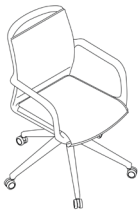




cyla chair/ 5 star base datasheet

Extent of Range

Cyla is a versatile mesh back meeting and work chair with 3 base options, integral arms and black painted frame.



Delivery

This range is delivered pre-assembled by the Flexiform installation team, wrapped for protection.

Product Guarantee

10 years subject to T&C's. See the Flexiform Warranty document for more information.

Features

Type: Meeting & work chair

Back: One piece injection moulded polypropylene plastic with mesh supportive back. Black mesh and black fabric.

Seat: FSC timber and nylon core with Combustion Modified High Resilience (CMHR) foam. Waterfall seat for comfort.

Base: 5 star base with 60mm free castor in black. 12 degree tilt mechanism with easy-use lever.

Arms: Plastic fixed twin arm in black.

Product Certification

EN 16139:2013 Test Level 1. Strength, durability and safety requirements for commercial seating.

Manufactured to ISO 9001, ISO 14001 & ISO 18001.

Product Environmental Certification



Dimensions

Overall Width: 700mm

Overall Depth: 700mm

Overall Height: 920mm - 1000mm

Seat Height: 480mm - 560mm

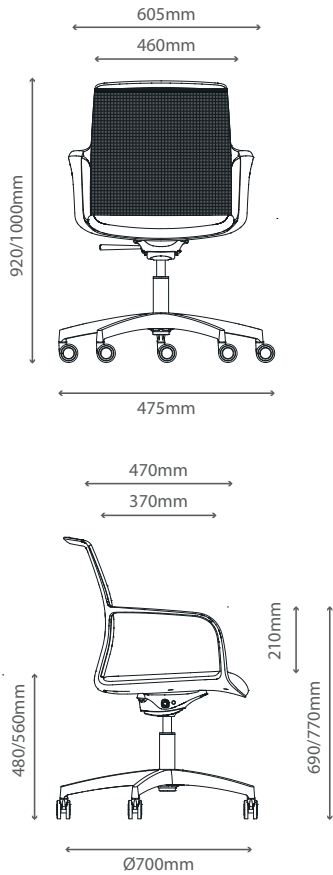
Seat Width: 475mm

Seat Depth: 470mm

Back Width: 460mm

Overall Arm Height: 690mm - 770mm

Arm Height from Seat: 210mm



Materials

Polypropylene: Light weight plastic with ability to be moulded and shaped to an ergonomic seat. Tough material to withstand everyday use.

Seat Core: FSC timber and nylon core for strength.

Fabric Seat

Available in a range of fabric brands from group 1 – 5 & Leather from multiple fabric manufacturers.

Mesh Finishes

Standard Flexiform finishes.



Only available in Black

Frame, Arms & Base

Standard Flexiform finishes.



Only available in Black