

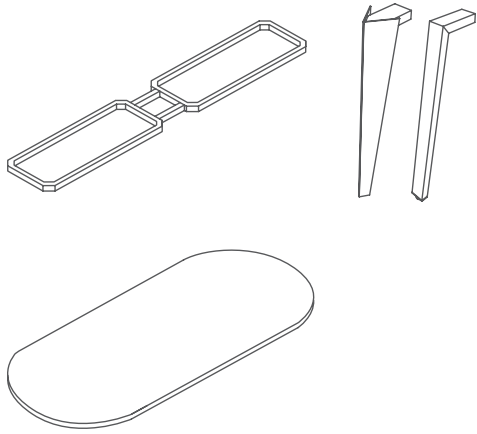


Additions 2 Tables
DATA SHEET & CARBON FOOTPRINT

flexiform

ADDITIONS 2 TABLES

Additions 2 tables are specified in separate parts to give a larger variety of combinations; the frame, a choice of 2 legs and the work top.



ADDITIONS 2 TABLE FEATURES

Type: Multi-use tables.

Legs: A2 or A3 legs. Available painted or in polished chrome.

Frame: Welded frame manufactured from 50mm x 25mm rectangle section tube with concealed fixings. Available as a 1 piece frame and 4 legs or 2 piece frame and 6 legs.

Tops: 25mm MFC. Available in square, rectangular, circular, barrel, D ended and elliptical shapes.

Power and Data: Additions 2 Tables can be specified with cut out for power and data. Power and data modules not included.

Cable Management: Available with or without cable trays and a central cable tower.

DIMENSIONS

Height: 740mm.

Widths: 800mm, 1000mm, 1200mm, 1400mm, 1600mm, 1800mm, 2000mm, 2200mm, 2400mm, 2800mm, 3200mm, 3600mm or 4000mm.

Depths: 800mm, 1000mm, 1200mm, 1600mm.

OPTIONAL COMPONENTS

Cable tray, wire basket, cable tower and cable spine.

DELIVERY

This range is assembled on site by Flexiform installation team, wrapped for protection.

WARRANTY

10 years from installation.

MATERIALS

MFC Top Panels: 25mm melamine faced chipboard (M.F.C) with 2mm ABS matching edging. British standard 476 class 1 surface spread of flame. Meets E1 European standards on Formaldehyde emissions.

Steel: Powder coated steel with minimum paint coverage thickness of 35 Microns. Indentation, cross cut+adhesion and bend tested.

FINISHES

Standard Flexiform finishes. Additional colour options available (may incur an upcharge).

MFC: Light Oak (MOK), White (WHM), Beech (MOB), Maple (MOM), Grey (MOG), Walnut (MOW), Romano Cherry (RCM).

Steel: RAL9006 Silver (JOS), RAL7024 Graphite (GGS), RAL7035 Pale Grey (PGS), RAL9016 White (JWS) and RAL9011 Black (BLS), Yellow Zinc RAL1018 (ZYS), Deep Orange RAL2011 (ORS), Carmine Red RAL3002 (CRS), Arrow Red RAL3001 (ARG), Pastel Mauve/ Violet RAL4009 (PMS), Tauben Blue RAL5014 (TGS), Ultramarine Blue RAL5002 (UBS), Signal Blue RAL5005 (SBS), Sky Blue RAL5015 (SBB), Regal Blue RAL5012 (RBS), Pastel Turquoise RAL6034 (PTS), Waterblue RAL5021 (WBS), Kahki Green RAL6013 (KGS), Fern Green RAL6018 (FGB).

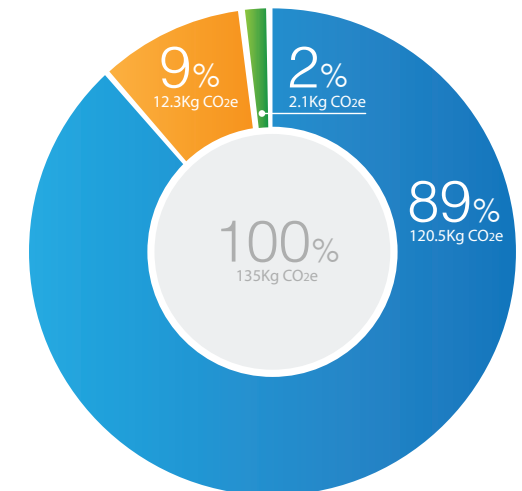
PRODUCT CERTIFICATION

Tested to BS EN 15372:2008 Test Level 3 (severe contract use)

PRODUCT CARBON FOOTPRINT

Our carbon footprint data is based on a life cycle assessment on a 1400mm x 800mm Additions 2 Table. Product weight: 37.1kg. Information extracted from report 'Product Carbon Footprint and Environmental Impact Assessments' prepared by Eco3, 2017.

Carbon Footprint: 135Kg CO₂e.



ENVIRONMENTAL CERTIFICATIONS



The mark of responsible forestry