

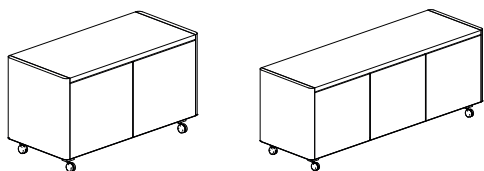


Credenza  
DATA SHEET

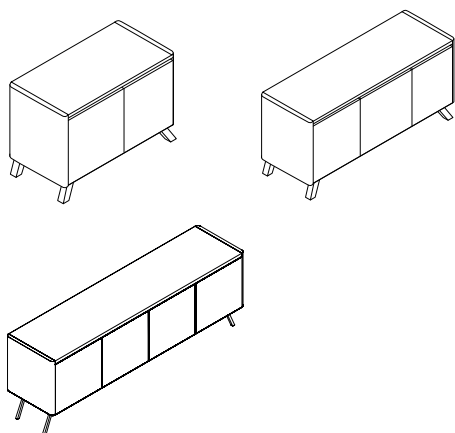
flexiform

## CREDENZAS

### Castors



### Angled Legs



## CREDENZA FEATURES

**Type:** Single storage unit for boardrooms, meeting rooms or domestic use.

**Carcass:** 14swg to 20swg depending upon structural requirements of selected cabinet.

**Doors:** Non-locking door with soft close hinges and push-to-open mechanism.

**End Panels:** Curved end panels.

**Legs:** A choice of 2 legs styles; angled (bringing the unit up to 740mm high) and black hubless castors (620mm high). Angled legs are constructed using 14swg 60mm x 30mm steel tube with feet levellers.

**Tops:** 25mm MFC with 2mm ABS edge in a choice of Flexiform's standard finishes

**Cable Management:** Not available on this product.

**Internal Components:** Door compartments are complete with a central shelf, drawers have filing rails for the bottom drawer.

**Counterbalance Weights:** Included where required.

## DIMENSIONS

**Height:** 620mm (castors), 740mm high (angled legs).

**Depth:** 515mm.

**Width:** 2 compartments: 1088mm, 3 compartments: 1600mm, 4 compartments: 2116mm

## DELIVERY

This range is delivered assembled by Flexiform installation team, wrapped for protection.

## WARRANTY

10 years from installation.

## MATERIALS

**MFC Top Panels:** 25mm melamine faced chipboard (M.F.C) with 2mm ABS matching edging. British standard 476 class 1 surface spread of flame. Meets E1 European standards on Formaldehyde emissions.

**Steel:** Powder coated steel with minimum paint coverage thickness of 35 Microns. Indentation, cross cut+adhesion and bend tested.

## FINISHES

Standard Flexiform finishes. Additional colour options available (may incur an upcharge).

**MFC:** Light Oak (MOK), White (WHM), Beech (MOB), Maple (MOM), Grey (MOG), Walnut (MOW), Romano Cherry (RCM).

**Steel:** RAL9006 Silver (JOS), RAL7024 Graphite (GGS), RAL7035 Pale Grey (PGS), RAL9016 White (JWS) and RAL9011 Black (BLS), Yellow Zinc RAL1018 (ZYS), Deep Orange RAL2011 (ORS), Carmine Red RAL3002 (CRS), Arrow Red RAL3001 (ARG), Pastel Mauve/ Violet RAL4009 (PMS), Tauben Blue RAL5014 (TGS), Ultramarine Blue RAL5002 (UBS), Signal Blue RAL5005 (SBS), Sky Blue RAL5015 (SBB), Regal Blue RAL5012 (RBS), Pastel Turquoise RAL6034 (PTS), Waterblue RAL5021 (WBS), Kahki Green RAL6013 (KGS), Fern Green

## ENVIRONMENTAL CERTIFICATIONS

