

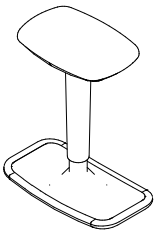


## jot-up stool datasheet

---

### Extent of Range

Jot-Up Stool with rocking base and upholstered seat pad.



---

### Features

**Type:** Height adjustable stool

**Seat:** Injected polyurethane foam seat pad, fully upholstered in a choice of fabrics. 360 degrees rotation.

**Height Adjustability:** Intuitive buttons located under seat each side, press together to enable movement. Various colour height adjustable stems.

**Base:** Non-slip and anti-squeal rubber base for grip with +/- 20 degrees rocking. Black only.

---

### Product Environmental Certification



---

### Environmental Manufacturing

100% Recyclability

Made from 100% Virgin materials

---

### Delivery

This range is delivered complete in a box by the Flexiform installation team, wrapped for protection.

---

### Product Warranty

10 years from installation.

---

### Dimensions

Width: 435mm

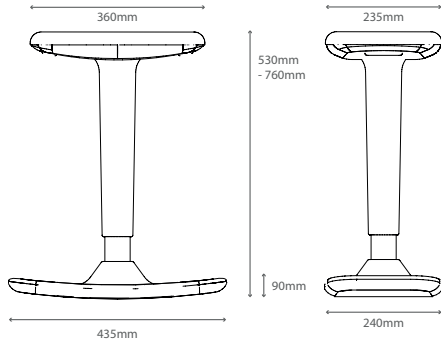
Depth: 240mm

Height range: 530mm - 760mm

Seat Width: 360mm

Seat depth: 235mm

Base height: 90mm



---

### Materials

#### Non-separable Components

Base Material: PA6/ TPU - 100% virgin material. 100% recyclability.

#### Separable components (allowing reuse)

Base Cover, Column Cover, Button, Underseat, Seat and Inner Seat Material: PP - 100% virgin material. 100% recyclability.

---

### Fabric Seat

Available in a range of fabric brands from group 1-5 and leather. Choose from Camira, Gabriel, Inloom & Agua fabrics as standard. More brands available upon request.

---

### Base Finishes

Standard Flexiform finishes.



Black base only

---

### Plastic Finishes

Standard Flexiform finishes.



Black Plastic Stem

Code: BK



Red Plastic Stem

Code: RE



White Plastic Stem

Code: WH